

Shogun FS74 8x4

AMT / AIR SUSP. / LWB



GVM

30,800_{KG}

GCM

53,000_{KG}

Power/Torque

290_{KW} / 2000_{NM} -

335_{KW} 2200_{NM}

Heavy rigid licence required



S
H
O
G
U
N
将
軍



ADVANCED EMERGENCY BRAKING, LANE DEPARTURE WARNING AND ACTIVE ATTENTION ASSIST AS STANDARD.
LOAD SHARE FRONT SUSPENSION.

Specifications

MODEL

A	8x4 FS74 395Hp Air Susp. 12 Sp. AMT (FS74HS2VFAA)
B	8x4 FS74 455Hp Air Susp. 12 Sp. AMT (FS74HS4VFAA)

WHEEL BASE

5870mm
5870mm

GVM (optional)

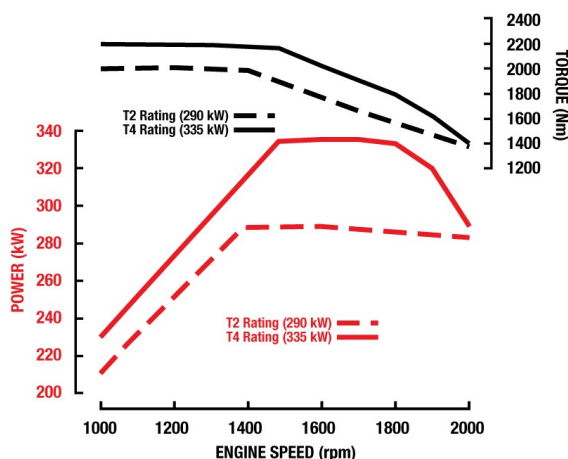
30,800kg
30,800kg

GCM (optional)

53,000kg
53,000kg

Engine

Engine Version	A FUSO OM470-T2 Diesel	B FUSO OM470-T4 Diesel
Configuration	6 Cyl. In-line OHV	
Type	Asymmetric Turbocharger, Air to Air Intercooler	
Displacement	10.7 litre (10677 cc)	
Bore	125 mm	
Stroke	145 mm	
Power (DIN)	A 290 kW (395 hp) @ 1600 rpm	B 335 kW (455 hp) @ 1600 rpm
Torque (DIN)	A 200 Nm (1475 lb.ft) @ 1100 rpm	B 220 Nm (1622 lb.ft) @ 1100 rpm
Maximum Engine Speed	2100 rpm	
Compression Ratio	18.5:1	
Air Cleaner	Paper Element Type with Restrictor Indicator. Vertical Intake Mounted on Clean Air Side (RH)	
Emission Control	Diesel Particulate Filter (DPF) plus SCR After-Treatment System	
Emission Level	ADR 80/03 - Euro VI	



Fuel

Injection System	Common Rail Direct Injection with Pressure Booster
Tank Type	Rectangular Alloy Tank with Locking Cap
Fuel Capacity *	400 Litres
Filtration	Filter with Water Separator and Dash Indicator
AdBlue Exhaust Fluid Capacity	60 Litres, Tank fitted with locking AdBlue cap
Speed Limiter	Speed Limited 100km/h
Notes	*Max Fill to approx 95% of Air Capacity

Cooling

Fan Drive	Electronically controlled (Viscous)
Radiator	Corrugated Fin with Expansion Tank

Electrical

Voltage	24V Negative Ground
Alternator Capacity	24V-150 amp
Starter Capacity	24V-7.0kW
Battery Capacity	2x12V, 150Ah/20hr
Battery Specification	2x145G51 (N150)
Headlamp Type	Automatic Type Low Beam: LED High Beam: Halogen
Fog Light	Halogen
Cornering Lamps	Standard

Clutch

Clutch Model	FUSO K4/430
Type	Single Dry Plate
Operation/Specification	Automated Manual (no clutch pedal)

Transmission

Version	FUSO Automated Manual G230-12
Type/Speeds	12 Speed Automated Manual with Auto and Manual Modes
Features	Crawler Mode Skip Shift Function for Light Loads ECO Mode to Minimise Fuel Usage
Ratios	1st: 11.672 2nd: 9.101 3rd: 7.055 4th: 5.501 5th: 4.400 6th: 3.430 7th: 2.652 8th: 2.068 9th: 1.603 10th: 1.250 11th: 1.000 12th: 0.779 RHigh: 9.101 RLow: 11.673 Torque limited from 1st to 3rd and Reverse
PTO Opening	Rear of Transmission

Front Axle

Axle Version	FUSO F900T/F900TR
Type	Reverse Elliot 'I' Beam
Capacity *	13000kg total
Notes	*See MAX LOADING for vehicle capacity.

Front Suspension

Type	Long Taper Leaf with Double Acting Shock Absorbers Load Share Front Suspension
Size	1500x90mm Leaves

Rear Axle

Type	Full Floating Hypoid Type Tandem Drive with Inter-Axle Diff Lock Limited Slip Differential (LSD) to both Axles
Axle Version	FUSO R10TT/R10T
Capacity*	21600kg
Ratio	4.625:1*
Notes	*See MAX LOADING for vehicle capacities

Rear Suspension

Type	Air Suspension
Details	Trailing Arm with Air Dump Control and Double Acting Shock Absorbers
Capacity at Ground *	18000kg total*
Notes	*See MAX LOADING for vehicle capacities

Max Loading

Front	13000kg
Rear	21600kg
Total	30800kg

Options

Options	T7R96: Engine Flywheel PTO (650 Nm)
---------	-------------------------------------

Steering

Type	Integral Ball and Nut
Steering Column	Tilt/Telescopic Adjustable

Specifications

MODEL

A	8x4 FS74 395Hp Air Susp. 12 Sp. AMT (FS74HS2VFAA)
B	8x4 FS74 455Hp Air Susp. 12 Sp. AMT (FS74HS4VFAA)

WHEEL BASE

5870mm
5870mm

GVM (optional)

30,800kg
30,800kg

GCM (optional)

53,000kg
53,000kg

Brakes	
Type	Full Air, Dual Circuit with FUSO Taper Rollers
Size Front	410x150mm
Size Rear	410x200mm
Features	Exhaust Brake Brake Priority System
Park Brake	Rear Wheel Spring Actuated
Engine	Constant Throttle Brake 3 Levels of Retardation
Trailer	Hand Control Valve, Air Lines Coupling and Electrical Cable

Wheels & Tyres	
Wheel Type	13, Single Piece Alloy Disc (Including Spare)
Wheel Size	22.5x8.25DC
Wheel Stud Pattern	10x335mm PCD
Tyre Brand	Bridgestone
Tyre Size Front	295/80R22.5 152/148
Tyre Size Rear	11R22.5 148/145
Tyre Size Spare	295/80R22.5 152/148
Spare Tyre Carrier	Provided

Chassis	
Type	Reinforced Parallel Channel
Size	300x90x7.0 mm
Width	840 mm
Tensile Strength	540 MPa

Instruments	
Gauges	Speedometer Tachometer Fuel Level Air Pressure AdBlue Level
Colour Information Display	Odometer Tripmeter (x2) Hour Meter (x2) Outside Temperature AdBlue Level DPF Information Driving Range (Fuel and AdBlue) Current Vehicle Speed Cruise Control Lane Departure Warning Active Attention Assist Warning Alarm Clock Service Indicator & Reminder System Air Pressure Coolant Temperature Engine Oil Level & Running Time
Warning Lamps	ABS ASR ESP ESP Off Turn Signal Headlamps High Beam Hill Holder Auxiliary Brake Parking Brake Engine Over-speed Air Pressure Low Cab Tilt Lock DPF Regeneration DPF Status AdBlue Empty AdBlue Contamination Active Brake Assist
Warning Lamp/Buzzer	Air Pressure Cab Tilt Engine Over-speed AdBlue Empty AdBlue Contamination

Multi-Media Package	
Satellite Navigation	Maps with heavy vehicle weight, length, height & hazardous material selectable restrictions with 3 years of Map updates
Colour Display	7 inch LCD with touch screen control
Phone Connectivity	Bluetooth® hands free
Audio Visual Entertainment	Bluetooth® music streaming compatible Digital radio DAB+ (also AM/FM for areas not covered by DAB+) USB & 3.5mm/AUX port
Reversing Camera	Display can accept up to 5 cameras#
Compatible	
Optional Accessories (available at additional cost)	Rear Mounted Parking Sensor Kit (High or Low) USB Quick Charge Kit Qi Wireless Charging Pocket for Mobile Devices Tyre Pressure Monitoring System
Notes	# Cameras available through spare parts

Standard Features	
Airbag(s)	Driver's Air Bag and Seat Belt Pre-tensioners
Active Safety Features	ABS plus EBD (Electronic Brake force Distribution) EBS Active Attention Assist Advanced Emergency Braking (AEBS/ABA4) Adaptive Cruise Control (with Stop & Go) Anti-Slip Regulator (ASR) Electronic Stability Program (ESP) Lane Departure Warning System (LDWS)
Hill Start System	Yes
Cab Cooling & Heating	Climate Control
Accessory Power	24V Accessory Power Outlet (x2) plus Cigar Lighter
Driving	Suspended Driver's Seat Central Locking Electric Windows Cruise Control (range 40 to 100km/h) LH Transom Window Opening Rear Quarter Glass Cup Holder Fluorescent Cabin Lamp
Storage	Centre Storage Compartments (x3 Total, Lockable x1) Driver's Overhead Storage Door Storage Pockets Coat Hooks
Cab: External	Fog Lights Door Side Impact Beams Roof Mounting Points (max. static load 70kg) Front End-Outline Marker Lamps
Chassis	Integrated Front Underrun System (FUPS) Reverse Warning Buzzer Clear Top of Chassis Rail for ease of Body Fitment

Cab Features	
Type	All Steel Forward Control Elec / Hyd Tilt Cab
Cab Structure	ECE-R29 Standard
Mounting	Air Suspended Front and Rear
Colour	Natural White
Windscreen Wipers	Automatic 2 Speed + Intermittent Cycle with Integrated Washer Nozzles
Rear Vision Mirrors	2 x External Flat Main Mirrors Plus Convex Spotters Motorised Main Mirrors, All Mirrors Heated
Seating Capacity	2
Seat Belts	2 Lap Sash
Seat (driver)	Air Suspension with Height, Tilt and Dampening Adjustment Integral Headrest and Fabric Trim
Seats (passenger)	Single Fixed
Sleeping	ADR42/04 Approved Sleeping Berth

Service Intervals	
Interval*	50,000km or 12 Months (whichever occurs first)
Notes	* based on normal operating conditions and may be reduced when operating under severe conditions.

Specifications

MODEL

A	8x4 FS74 395Hp Air Susp. 12 Sp. AMT (FS74HS2VF4AA)
B	8x4 FS74 455Hp Air Susp. 12 Sp. AMT (FS74HS4VF4AA)

WHEEL BASE

5870mm
5870mm

GVM (optional)

30,800kg
30,800kg

GCM (optional)

53,000kg
53,000kg

Warranty

Basic/Powertrain	5 Years or 500,000kms (whichever occurs first)
Cab Perforation/Anti Corrosion	5 Years

Performance

Turning Circle (kerb to kerb - metres)	21.6
Electronically Speed Limited to:	100km/hr Conforms to ADR65/..
Engine Speed (rpm) at 100km/hr (top gear)	1879
Gradeability at Rated GVM (theoretical)*	47%
Gradeability at Rated GCM (theoretical)*	28%
Notes	*This is theoretical performance only. Actual performance may vary under different conditions

Mass (estimated)*

Front*	A	B
	5890kg	5940kg
Rear*	A	B
	3130kg	3120kg
Total*	A	B
	9020kg	9060kg

Dimensions (mm)

WFF (Width Front Fender) (mm)	2490	
WRA (Width Rear Axle) (mm)	2480	
WFT (Width Front Track) (mm)	2075	
WRT (Width Rear Track) (mm)	1865	
Width Frame (mm)	840	
A - Length Overall (mm)	10140	
B - Extreme Axle Spacing (mm)	6530	
C - Front Overhang (mm)	1370	
D - Wheelbase (mm)	5870	
F - Rear Axle Spacing (mm)	1320	
G - Front Axle to Rear of Cab (mm)	700	
H - Rear of Cab to Rearmost Item Behind Cab (mm)	145	
I - Rearmost Item Behind Cab to Rear Axle (mm)	5024	
J - Frame, Rear Axle to End (mm)	2900	
N - Height Overall (mm)	A	B
	3240	3355
O - Air Intake to Cab Roof (mm)	205	
P - Height Cab to Ground (mm)	A	B
	3035	3150
Q - Height Cab to Frame (mm)	A	B
	1970	2090
R - Height Rear Frame to Ground (mm)	1058	

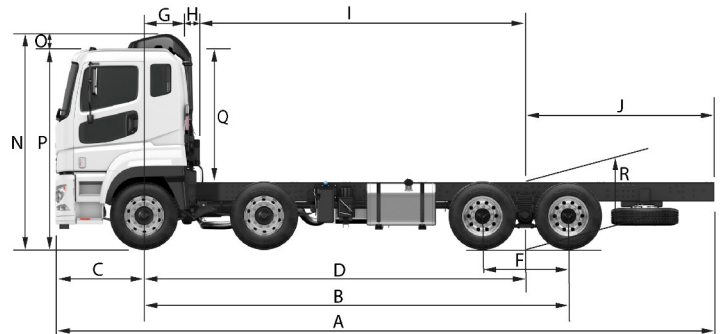
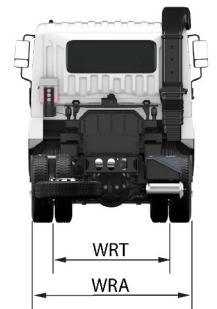
Body Builder's Notes

Notes

Chassis reinforcement must be utilised for Tipper/Demountable type body configurations. To conform with ADR 13/00 (lighting requirements) the following must be adhered to at body installation.

- If other than a flat type or tipper body is fitted, rear end out-line marker lamps must be installed.
- If overall length exceeds 6.0 metres, side reflectors must be installed.
- If overall length exceeds 7.5 metres, side marker lamps must be installed.

To conform with ADR 42/04 (General Safety), rear wheel guards must be fitted to the vehicle.



Specifications

MODEL

- A 8x4 FS74 395Hp Air Susp. 12 Sp. AMT (FS74HS2VFAA)
- B 8x4 FS74 455Hp Air Susp. 12 Sp. AMT (FS74HS4VFAA)

WHEEL BASE

5870mm
5870mm

GVM (optional)

30,800kg
30,800kg

GCM (optional)

53,000kg
53,000kg



Call 1800 033 557

or visit fuso.com.au

Unless specified in writing herein the accessories, applications, bodies or equipment depicted in this are for illustration purposes only and may not be available from Daimler Truck and Bus Australia Pacific Pty Ltd. (ABN 86 618 413 282) (DTB). No representation or warranty whatsoever is given in relation to any accessories, applications, bodies or equipment or suitability of same that are shown herein that may be manufactured, supplied or fitted by a party other than DTB. DTB reserves the right without notice or obligation to discontinue or make changes to the colour, designs, materials and specifications of the products and options referred to herein at any time. For the most current information and in order to ascertain which accessories, applications, bodies and equipment are available from DTB please contact your authorised FUSO Truck and Bus dealer. Fuso is a registered trademark of Daimler Truck and Bus Australia Pacific Pty Ltd. Copyright DTB. Reproduction in whole or part prohibited without written approval. Part Number TSH61A. Valid from 05-Mar-20.