

CANTER 515.

SUPER LOW.

4X2 / CITY CAB / DUONIC AMT.

GVM

4,500KG

GCM

8,000KG

Power/Torque

110KW/370NM

Can be driven on a passenger car licence



5
YEAR WARRANTY

ACCESS UNDERGROUND CAR PARKS WITH 2.1M MAXIMUM HEIGHT RESTRICTION.

fuso.com.au

FUSO

SPECIFICATIONS

MODEL

4x2 515 Superlow City Cab MWB 6 SP. AMT (FEA21ER3SFAL)

WHEEL BASE

3400MM

GVM (optional)

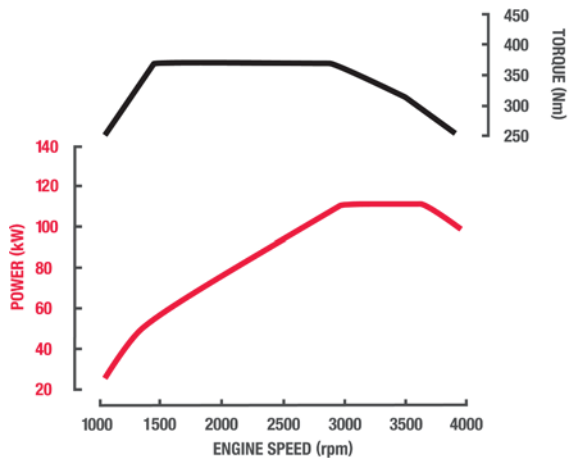
4500kg

GCM (optional)

8,000kg

ENGINE

| | |
|-----------------------------|--|
| Engine Version | FUSO 4P10-T4 Diesel |
| Configuration | 4 Cyl. In-line DOHC, 4-Valve |
| Type | Variable Geometry Turbo Charged Air to Air Intercooled |
| Displacement | 3 litre (2998cc) |
| Bore | 95.8mm |
| Stroke | 104mm |
| Power (DIN) | 110kW @ 2840~3500 rpm |
| Torque (DIN) | 370Nm @ 1350~2840 rpm |
| Maximum Engine Speed | 4100 rpm |
| Compression Ratio | 17.5:1 |
| Cooling System / Oil Cooler | Water cooled, 13.0L capacity/ Plate type engine oil cooler |
| Air Cleaner | Paper Element Type with Restrictor Indicator. Vertical Intake Mounted on Clean Air Side (RH) |
| Emission Control | Diesel Particulate Filter (DPF) Exhaust Dash Display DPF Status 0~9 (Empty~Full) Parked Regeneration possible from 7~9 |
| Emission Level | ADR 80/03 & EEV rated (Enhanced Environmentally-Friendly Vehicle) Euro 5 |



FUEL

| | |
|------------------|--|
| Injection System | Bosch Common Rail Direct Injection Bosch Piezo Technology Injectors |
| Tank Type | Rectangular Steel Tank with Locking Cap |
| Fuel Capacity * | 100 Litres |
| Filtration | Filter with Water Separator and Indicator Sensor |
| Notes | *Max Fill to approx 95% of Air Capacity |

COOLING

| | |
|-----------|---|
| Fan Drive | Thermo modulated continuous control (Viscous) |
| Radiator | Corrugated Fin with Expansion Tank |

ELECTRICAL

| | |
|-----------------------|--------------------|
| Voltage | 12V Negative Earth |
| Alternator Capacity | 12V-110 amp |
| Starter Capacity | 12V-2.0kW |
| Battery Capacity | 2x12V, 70Ah/5hr |
| Battery Specification | 115D31LX2 |
| Headlamp Type | Halogen |
| Headlamp Capacity | 2x55W/60W |

CLUTCH

| | |
|--------------|---|
| Clutch Model | Duonic Automated Manual (no clutch pedal) |
| Type | Dual Clutch (Wet Multi-plate) |

TRANSMISSION

| | |
|-------------|--|
| Version | FUSO Duonic M038S6 |
| Type/Speeds | 6 Speed Automated Manual with Auto and Manual Modes |
| Features | Virtually Instant Gear Changes In-Dash Gear Lever with Park Brake Position ECO Mode to Minimise Fuel Usage |
| Ratios | 1st: 5.397 2nd: 3.788 3rd: 2.310 4th: 1.474 5th: 1.000 6th: 0.701 Rev. 5.397 |
| PTO Opening | LH Side. |

FRONT AXLE

| | |
|--------------|--|
| Axle Version | FUSO F200T |
| Type | Independent Front Suspension |
| Capacity * | 2300kg |
| Notes | *See MAX LOADING for vehicle capacity. |

FRONT SUSPENSION

| | |
|------|--|
| Type | Double Wishbone Independent Front Suspension with Coil Springs and Shock Absorbers |
|------|--|

REAR AXLE

| | |
|--------------|--|
| Type | Full Floating Banjo Type |
| Axle Version | FUSO R030T |
| Capacity* | 3800kg |
| Ratio | 4.444:1 |
| Notes | *See MAX LOADING for vehicle capacity. |

REAR SUSPENSION

| | |
|------------------|-------------------------------------|
| Type | Steel Suspension |
| Details | Parabolic Leaf with Shock Absorbers |
| Size Main Leaves | 1100x70mm |

MAX LOADING

| | |
|-------|--------|
| Front | 2180kg |
| Rear | 3800kg |
| Total | 4500kg |

STEERING

| | |
|-----------------|----------------------------|
| Type | Rack & Pinion |
| Steering Column | Tilt/Telescopic Adjustable |
| Power Assist | Standard |

BRAKES

| | |
|------------|--|
| Type | Hydraulic Dual Circuit with Front and Rear Discs Single Calliper Front and Rear |
| Size Front | 276x28mm |
| Size Rear | 276x28mm |
| Features | ABS plus EBD (Electronic Brake Distribution) Exhaust Brake Brake Priority System |
| Park Brake | Transmission Mounted |

SPECIFICATIONS

MODEL

4x2 515 Superlow City Cab MWB 6 SP. AMT (FEA21ER3SFAL)

WHEEL BASE

3400MM

GVM (optional)

4500kg

GCM (optional)

8,000kg

WHEELS & TYRES

| | |
|--------------------|--|
| Wheel Type | 7 x Single Piece Disc Rims (Including Spare) |
| Wheel Size | 16.0x5.5K-115 |
| Wheel Stud Pattern | 5 Stud 208 PCD |
| Tyre Size All | 185/85R16 111/109 |
| Spare Tyre Carrier | Provided |

CHASSIS

| | |
|------------------|----------------------------|
| Type | Reinforced Tapered Channel |
| Size | 188x60x4mm |
| Width | 699mm |
| Tensile Strength | 440 MPa |

INSTRUMENTS

| | |
|----------------------------|--|
| Gauges | Speedometer with Odometer Tachometer Fuel Level |
| Colour Information Display | Fuel Consumption DPF Bar Chart from 1~9 Water Temperature Maintenance Reminder System Tripmeters |

MULTI-MEDIA PACKAGE

| | |
|-----------------------------|---|
| Satellite Navigation | Maps with heavy vehicle weight, length, height & hazardous material selectable restrictions with 3 years of Map updates |
| Colour Display | 6.1 inch LCD with touch screen control |
| Phone Connectivity | Bluetooth® hands free |
| Audio Visual Entertainment | CD/DVD player and Digital radio DAB+ (also AM/FM for areas not covered by DAB+) USB port for iPod®* & other devices |
| Reversing Camera Compatible | Display can accept up to 3 cameras# |
| Notes | * iPod® compatibility requires an additional licensed cable # Cameras available through spare parts |

STANDARD FEATURES

| | |
|-----------------------|--|
| Airbag(s) | Dual Air Bags and Seat Belt Pre-Tensioners (Driver & Far Side Passenger) |
| Cruise Control | Yes |
| Hill Start System | Yes |
| Cab Cooling & Heating | Air Conditioner / Heater / Demister |
| Accessory Power | 12V Accessory Power Outlet / Cigar Lighter |
| Driving | Fuso Multimedia Unit Keyless Central Locking Electric Windows Cup Holders (2) |
| Storage | Dual Overhead Storage Pockets In-Dash Centre Document Storage Door Storage Pockets Dash Storage Tray (1 DIN) Coat Hooks Floor Mounted Bottle Tray Centre Seat Storage Centre Seatbelt Storage In Dash Cup Holders Sun Visor Storage Pockets |
| Cab: External | Door Side Impact Beams |
| Chassis | Reverse Warning Buzzer |

CAB FEATURES

| | |
|--------------------------|--|
| Type | All Steel Forward Control Manual Tilt |
| Mounting | Hydroelastic 4 Point |
| Additional Engine Access | N/A |
| Colour | Natural White |
| Windscreen Wipers | 2 Speed + Intermittent Cycle with Integrated Washer Nozzles |
| Rear Vision Mirrors | 1 x Internal 2 x External Convex (ECE 46) - Heated |
| Seating Capacity | 3 |
| Seat Belts | Lap Sash Belts for Outside Seating Positions Lap Belt for Centre Seat |
| Seat (driver) | Fixed Reclining LH Arm Rest & Lumbar Support |
| Seats (passenger) | Flat Folding, 2 Passenger Bench |
| Lighting | LED Interior Lamp Fluorescent Interior Reading Lamp |

SERVICE INTERVALS

| | |
|-----------|---|
| Interval* | 30,000km, 12 Months or 600 Hours (whichever occurs first) |
| Notes | * based on normal operating conditions and may be reduced when operating under severe conditions. |

WARRANTY

| | |
|--------------------------------|---|
| Basic/Powertrain | 5 Years, 200,000kms or 4,000 operating hours (whichever occurs first) |
| Cab Perforation/Anti Corrosion | 5 Years |

PERFORMANCE

| | |
|---|---|
| Turning Circle (kerb to kerb - metres) | 11.8 |
| Road Speed (km/h) at Max Engine Speed | 145 |
| Engine Speed (rpm) at 100km/hr (top gear) | 2420 |
| Gradeability at Rated GVM (theoretical)* | 45% |
| Notes | *This is theoretical performance only. Actual performance may vary under different conditions |

MASS (ESTIMATED)*

| | |
|--------|---|
| Front* | 1385kg |
| Rear* | 540kg |
| Total* | 1925kg |
| Notes | * Mass (est.) includes oil and water but excludes spare wheel, tools & fuel. Weights provided are subject to 3.5% variation (+/-) |

SPECIFICATIONS

MODEL

4x2 515 Superlow City Cab MWB 6 SP. AMT (FEA21ER3SFAL)

WHEEL BASE

3400MM

GVM (optional)

4500kg

GCM (optional)

8,000kg

DIMENSIONS (MM)

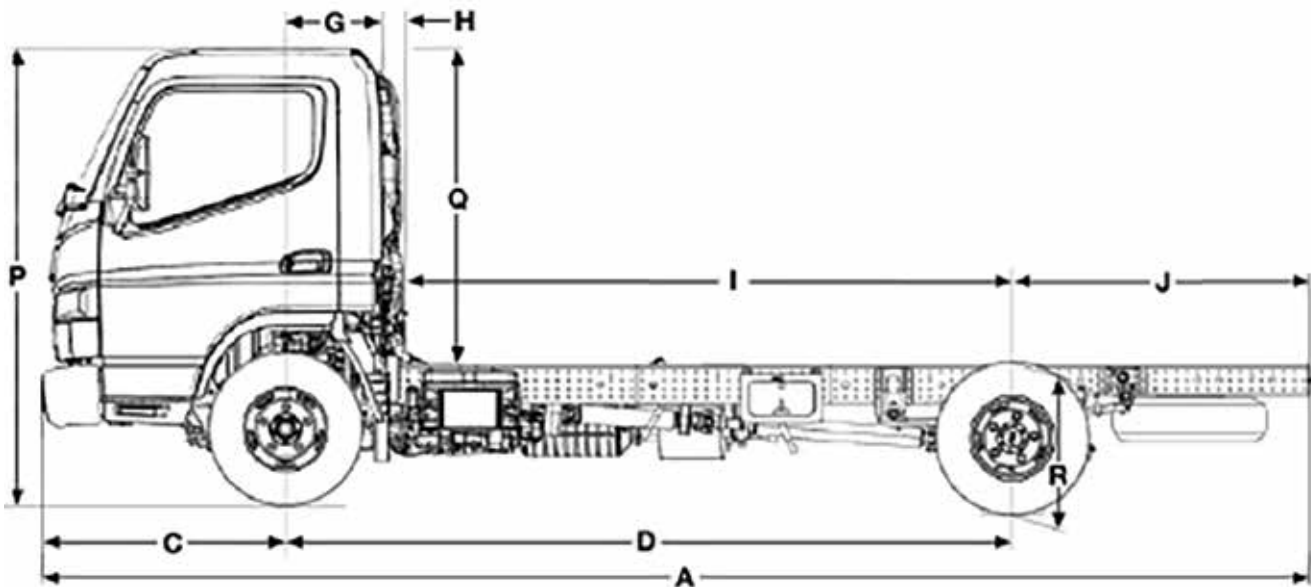
| | |
|--|-------------|
| Width Front Fender (mm) | 1695 |
| Width Rear Axle (mm) | 1869 |
| Width Rear Track (mm) | 1435 |
| Width Frame (mm) | 699 |
| A - Length Overall (mm) | 5785 |
| C - Front Overhang (mm) | 990 |
| D - Wheelbase (mm) | 3400 |
| G - Front Axle to Rear of Cab (mm) | 525 |
| H - Rear of Cab to Rearmost Item Behind Cab (mm) | 50 |
| I - Rearmost Item Behind Cab to Rear Axle (mm) | 2825 |
| J - Frame, Rear Axle to End (mm) | 1395 |
| P - Height Cab to Ground (mm) | 2010 |
| Q - Height Cab to Frame (mm) | 1381 |
| R - Height Rear Frame to Ground (mm) | 727 |

BODY BUILDER'S NOTES

Notes

Chassis reinforcement must be utilised for Tipper/Demountable type body configurations. To conform with ADR 13/00 and 14/02 (lighting/mirror requirements) the following must be adhered to at body installation.

- If overall width exceeds 2.1 metres and other than flat type or tipper body is fitted, rear end-outline markers must be installed.
- If overall length exceeds 6.0 metres, side reflectors must be installed.
- If overall length exceeds 7.5 metres and width exceeds 2.1 metres, side marker lamps must be installed.
- If overall width is less than 1.9 metres, the mirrors must be modified to project not more than 230mm. To conform with ADR 42/04 (General Safety), rear wheel guards must be fitted to the vehicle.



CALL 1300 429 134

or visit fuso.com.au

FUSO

Unless specified in writing herein the accessories, applications, bodies or equipment depicted in this document are for illustration purposes only and may not be available from Mercedes-Benz Australia/Pacific Pty Ltd (ABN 23 004 411 410) ("MBAuP"). No representation or warranty whatsoever is given in relation to any accessories, applications, bodies or equipment or suitability of same that are shown herein that may be manufactured, supplied or fitted by a party other than MBAuP. MBAuP reserves the right without notice or obligation to discontinue or make changes to the colour, designs, materials and specifications of the products and options referred to herein at any time. For the most current information and in order to ascertain which accessories, applications, bodies and equipment are available from MBAuP please contact your authorised Mitsubishi FUSO truck and bus dealer. Fuso is a registered trademark of Mitsubishi Fuso Truck & Bus Corporation. Copyright © MBAuP. Reproduction in whole or part prohibited without written approval. Part Number TSC130D-SSV2. Valid from 01-Mar-17.