

HEAVY FV54 6X4.

AMT / AIR SUSP. / PRIME MOVER

GVM

24,000KG

GCM

60,000KG

Power/Torque

455HP/2,200NM

Heavy-combination licence required.



5
YEAR WARRANTY

ADR APPROVED SLEEPER CAB.

fuso.com.au

FUSO

SPECIFICATIONS

MODEL

- A 6x4 FV54 Std Roof PM 455hp Air Susp. 12 Sp. AMT (FV54SJR5VFAA)
 B 6x4 FV54 High Roof PM 455hp Air Susp. 12 Sp. AMT (FV54SJR5VFAB)

WHEEL BASE

3860mm
3860mm

GVM (optional)

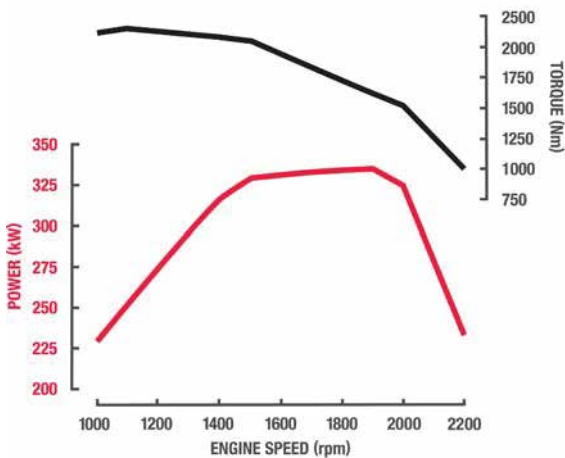
24,000kg
24,000kg

GCM (optional)

60,000kg
60,000kg

ENGINE

Engine Version	FUSO OM457-T5 Diesel
Configuration	6 Cyl. In-line OHV
Type	Waste-gate Turbocharged with Air to Air Intercooled
Displacement	12 litre (11967cc)
Bore	128mm
Stroke	155mm
Power (DIN)	335kW @ 1900 rpm
Torque (DIN)	2200Nm @ 1100 rpm
Maximum Engine Speed	2100 rpm
Cooling System / Oil Cooler	Water cooled, 32.0L capacity/ Plate type engine oil cooler
Air Cleaner	Paper Element Type with Restrictor Indicator. Vertical Intake Mounted on Clean Air Side (RH)
Emission Control	Selective Catalytic Reduction (SCR)
Emission Level	ADR 80/03 - Euro 5



FUEL

Injection System	Electronically Controlled Unit Pump Injection
Tank Type	Rectangular Alloy Tank with Locking Cap
Fuel Capacity *	350 Litres
Filtration	Filter with Water Separator and Dash Indicator
AdBlue Exhaust Fluid Capacity	40 Litres, Tank fitted with locking AdBlue cap
Speed Limiter	Speed Limited 100km/h
Notes	*Max Fill to approx 95% of Air Capacity

COOLING

Fan Drive	Thermo modulated continuous control (Viscous)
Radiator	Corrugated Fin with Expansion Tank

ELECTRICAL

Voltage	24V Negative Ground
Alternator Capacity	24V-80 amp
Starter Capacity	24V-7.0kW
Battery Capacity	2x12V, 150Ah/20hr
Battery Specification	2x145G51 (N150)
Headlamp Type	Halogen
Headlamp Capacity	Low beam 2x70W High beam 2x70W
Fog Light	Halogen

CLUTCH

Clutch Model	FUSO MFZ
Type	Twin Plate
Operation/Specification	Automated Manual (no clutch pedal)

TRANSMISSION

Version	FUSO Automated Manual G330-12 (INOMAT-II)
Type/Speeds	12 Speed Automated Manual with Auto and Manual Modes
Features	Crawler Mode Skip Shift Function for Light Loads ECO Mode to Minimise Fuel Usage
Ratios	1st: 11.639 2nd: 9.020 3rd: 7.035 4th: 5.452 5th: 4.400 6th: 3.410 7th: 2.645 8th: 2.050 9th: 1.599 10th: 1.239 11th: 1.000 12th: 0.775 RHigh: 9.900 RLow: 12.774 Torque limited to 1853Nm from 1st to 3rd and Reverse
PTO Opening	Rear of Transmission

PROPELLER SHAFT

Type	Single Main Shaft GW5E2200 Inter-axle Shaft P12
------	--

FRONT AXLE

Axle Version	FUSO F090T
Type	Reverse Elliot 'I' Beam
Capacity *	7500kg
Notes	*See MAX LOADING for vehicle capacity.

FRONT SUSPENSION

Type	Long Taper Leaf with Double Acting Shock Absorbers
Size	1500x90mm Leaves

REAR AXLE

Type	Full Floating Hypoid Type Tandem Drive with Inter-Axle Diff Lock
Axle Version	FUSO R12/D12
Capacity*	21600kg
Ratio	4.625:1
Notes	*See MAX LOADING for vehicle capacities

REAR SUSPENSION

Type	Air Suspension
Details	Trailing Arm with Air Dump Control and Double Acting Shock Absorbers
Air Spring	2x250mm dia
Road Friendly Certification Number	RF2011
Capacity at Ground *	18000kg total*
Notes	*See MAX LOADING for vehicle capacities

MAX LOADING

Front	6500kg
Rear	18000kg
Total	24000kg

OPTIONS

Options	R02: Limited Slip Differential (LSD) for Both Diffs
---------	---

SPECIFICATIONS

MODEL

- A** 6x4 FV54 Std Roof PM 455hp Air Susp. 12 Sp. AMT (FV54SJR5VFAA)
B 6x4 FV54 High Roof PM 455hp Air Susp. 12 Sp. AMT (FV54SJR5VFAB)

WHEEL BASE

3860mm
3860mm

GVM (optional)

24,000kg
24,000kg

GCM (optional)

60,000kg
60,000kg

STEERING

Type	Integral Ball and Nut
Steering Column	Tilt/Telescopic Adjustable

BRAKES

Type	Full Air, Dual Circuit with FUSO Taper Rollers, ABS plus ASR (Anti Slip Regulator)
Size Front	410x150mm
Size Rear	410x200mm
Park Brake	Rear Wheel Spring Actuated
Engine	Constant Throttle Brake 4 Levels of Retardation
Trailer	Hand Control Valve, Air Lines Coupling and Electrical Cable

WHEELS & TYRES

Wheel Type	11, Single Piece Alloy Disc (Including Spare)
Wheel Size	22.5x8.25DC
Wheel Stud Pattern	10x335mm PCD
Tyre Size Front	295/80R22.5 152/148
Tyre Size Rear	11R22.5 148/145
Tyre Size Spare	295/80R22.5 152/148
Spare Tyre Carrier	Not Provided

CHASSIS

Type	Reinforced Parallel Channel Rear of Chassis Tapered to Suit Tractor
Size	300x90x7.0mm
Width	840mm
Tensile Strength	540Mpa

INSTRUMENTS

Gauges	Speedometer with Odometer Tachometer Air Pressure (2) Fuel Level Water Temperature AdBlue Level
Colour Information Display	Fuel Consumption Service Indicators Hour Meter and Tripmeter Oil Level Check
Warning Lamps	ABS ASR Turn Signal High Beam Engine Brake & Shift Down Brake Fog Lamp All Major System Faults Oil Level Ad Blue Low Air Suspension Low Alternator Differential Lock Cruise Control Cab Tilt Lock
Warning Lamp/Buzzer	Air Pressure Oil Pressure Hill Start Park Brake Engine Overrun Engine Overheat / Low Coolant Level

MULTI-MEDIA PACKAGE

Satellite Navigation	Maps with heavy vehicle weight, length, height & hazardous material selectable restrictions with 3 years of Map updates
Colour Display	6.1 inch LCD with touch screen control
Phone Connectivity	Bluetooth® hands free
Audio Visual Entertainment	CD/DVD player Digital radio DAB+ (also AM/FM for areas not covered by DAB+) USB port for iPod® * & other devices
Reversing Camera Compatible	Display can accept up to 3 cameras#
Notes	* iPod® compatibility requires an additional licenced cable # Cameras available through spare parts

STANDARD FEATURES

Airbag(s)	Driver's Air Bag and Seat Belt Pre-tensioners
Hill Start System	Yes
Cab Cooling & Heating	Climate Control
Accessory Power	24V Accessory Power Outlet / Cigar Lighter
Driving	Suspended Driver's Seat Central Locking Electric Windows Cruise Control (range 40 to 100km/h) LH Transom Window Opening Rear Quarter Glass Cup Holder Fluorescent Cabin Lamp Trailer Package including Trailer "Stretch Brake"
Storage	Centre Storage Console Dash Storage Tray 2 DIN Driver's Overhead Storage Coat Hooks
Cab: External	Fog Lights Door Side Impact Beams Roof Mounting Points (max. static load 70kg) Front End-Outline Marker Lamps
Chassis	Integrated Front Underrun System (FUPS) Reverse Warning Buzzer Clear Top of Chassis Rail for ease of Body Fitment

CAB FEATURES

Type	All Steel Forward Control Elec / Hyd Tilt Cab
Cab Structure	ECE-R29 Standard
Mounting	Air Suspended Front and Rear
Colour	Natural White
Windscreen Wipers	2 Speed + Intermittent Cycle with Integrated Washer Nozzles
Rear Vision Mirrors	2 x External Flat Main Mirrors Plus Convex Spotters Motorised Main Mirrors, All Mirrors Heated
Seating Capacity	2
Seat Belts	2 Lap Sash
Seat (driver)	Suspended (ISRI)
Seats (passenger)	High Back Fixed Base
Sleeping	ADR42/04 Approved Sleeping Berth

SERVICE INTERVALS

Interval*	40,000km, 12 Months or 800 Hours (whichever occurs first)
Notes	* based on normal operating conditions and may be reduced when operating under severe conditions.

WARRANTY

Basic/Powertrain	5 Years, 500,000kms or 10,000 operating hours (whichever occurs first)
Cab Perforation/Anti Corrosion	5 Years

SPECIFICATIONS

MODEL

- A** 6x4 FV54 Std Roof PM 455hp Air Susp. 12 Sp. AMT (FV54SJR5VFAA)
B 6x4 FV54 High Roof PM 455hp Air Susp. 12 Sp. AMT (FV54SJR5VFAB)

WHEEL BASE

3860mm
3860mm

GVM (optional)

24,000kg
24,000kg

GCM (optional)

60,000kg
60,000kg

PERFORMANCE

	A	B
Turning Circle (kerb to kerb - metres)	12.8	13.0
Electrically Speed Limited to:	100km/hr Conforms to ADR65/..	100km/hr Conforms to ADR65/..
Engine Speed (rpm) at 100km/hr (top gear)	1882	1882
Gradeability at Rated GCM (theoretical)*	26%	26%
Notes	*This is theoretical performance only. Actual performance may vary under different conditions	

MASS (ESTIMATED)*

	A	B
Front*	4390kg	4450kg
Rear*	3175kg	3265kg
Total*	7565kg	7715kg
Notes	* Mass (est.) includes oil and water but excludes spare wheel, tools & fuel. Weights provided are subject to 3.5% variation (+/-)	

DIMENSIONS (MM)

	A	B
Width Front Fender (mm)	2490	2490
Width Rear Axle (mm)	2485	2485
Width Front Track (mm)	2055	2075
Width Rear Track (mm)	1850	1865
Width Frame (mm)	840	840
A - Length Overall (mm)	6696	6690
B - Extreme Axle Spacing (mm)	4520	4520
C - Front Overhang (mm)	1370	1370
D - Wheelbase (mm)	3860	3860
F - Rear Axle Spacing (mm)	1320	1320
G - Front Axle to Rear of Cab (mm)	700	700
H - Rear of Cab to Rearmost Item Behind Cab (mm)	183	183
I - Rearmost Item Behind Cab to Rear Axle (mm)	2977	2977
J - Frame, Rear Axle to End (mm)	1460	1460
N - Height Overall (mm)	3299	3648
O - Air Intake to Cab Roof (mm)	205	225
P - Height Cab to Ground (mm)	3094	3423
Q - Height Cab to Frame (mm)	2090	2420
R - Height Rear Frame to Ground (mm)	Inflated: 1033 Deflated: 976	Inflated: 1033 Deflated: 976

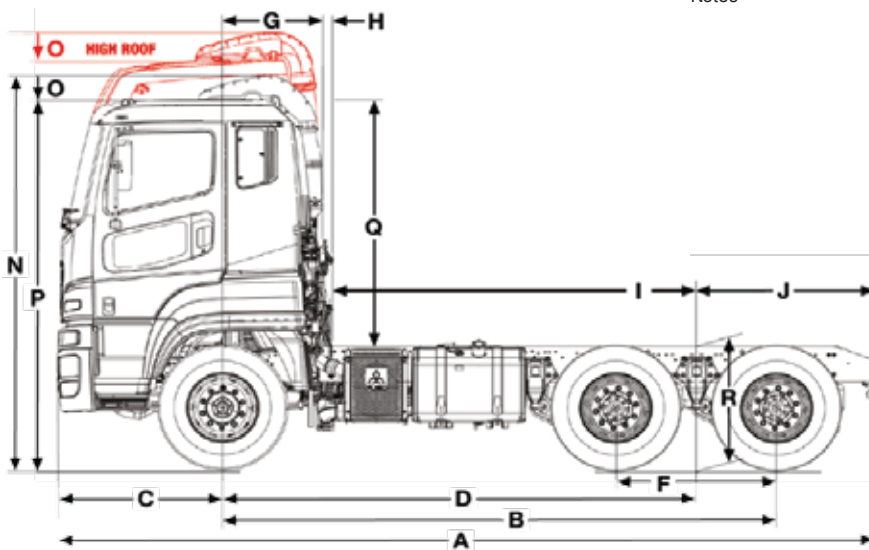
BODY BUILDER'S NOTES

Notes

Chassis reinforcement must be utilised for Tipper/Demountable type body configurations. To conform with ADR 13/00 (lighting requirements) the following must be adhered to at body installation.

- If other than a flat type or tipper body is fitted, rear end out-line marker lamps must be installed.
- If overall length exceeds 6.0 metres, side reflectors must be installed.
- If overall length exceeds 7.5 metres, side marker lamps must be installed.

To conform with ADR 42/04 (General Safety), rear wheel guards must be fitted to the vehicle.



CALL 1300 429 134

or visit fuso.com.au

FUSO

Unless specified in writing herein the accessories, applications, bodies or equipment depicted in this document are for illustration purposes only and may not be available from Mercedes-Benz Australia/Pacific Pty Ltd (ABN 23 004 411 410) ("MBAuP"). No representation or warranty whatsoever is given in relation to any accessories, applications, bodies or equipment or suitability of same that are shown herein that may be manufactured, supplied or fitted by a party other than MBAuP. MBAuP reserves the right without notice or obligation to discontinue or make changes to the colour, designs, materials and specifications of the products and options referred to herein at any time. For the most current information and in order to ascertain which accessories, applications, bodies and equipment are available from MBAuP please contact your authorised Mitsubishi FUSO truck and bus dealer. Fuso is a registered trademark of Mitsubishi Fuso Truck & Bus Corporation. Copyright © MBAuP. Reproduction in whole or part prohibited without written approval. Part Number TSH55D-SSV2. Valid from 01-Mar-17.