

# Fighter 2427.

6x2 - 6x4 / 9-SP MAN / STEEL or AIR SUSP.



GVM

23,200<sub>KG</sub> to

24,000<sub>KG</sub>

Heavy rigid licence required

GCM

32,000<sub>KG</sub>

Power/Torque

199<sub>KW</sub> / 784<sub>NM</sub>



F  
I  
G  
H  
T  
E  
R  
戦士



CLASS LEADING 30,000KM SERVICE INTERVALS.

# Specifications

## MODEL

<b>A</b>	6X2 2427 Air Susp. XXLWB 9 Sp. MAN (FN63FU2RFAK)
<b>B</b>	6x4 2427 Steel Susp. SWB 9 Sp. MAN (FN62FK2RFAK)
<b>C</b>	6x4 2427 Air Susp. XXLWB 9 Sp. MAN (FN64FU2RFAK)

## WHEEL BASE

6530mm
4300mm
6530mm

## GVM (optional)

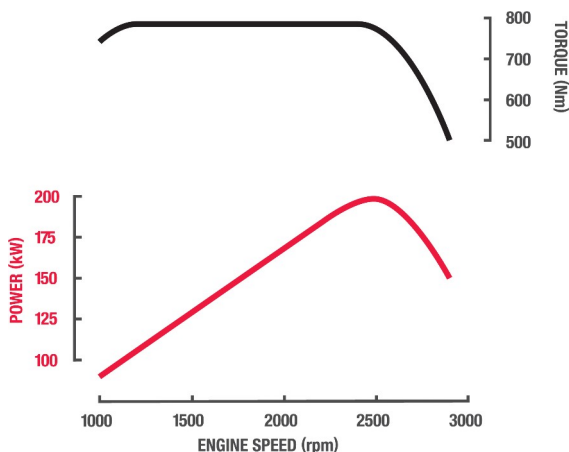
23,200kg
23,500kg
24,000kg

## GCM (optional)

32,000kg
32,000kg
32,000kg

## Engine

Engine Version	FUSO 6M60-9AT2 Diesel
Configuration	6 Cyl. In-line OHC, 4-Valve
Type	Variable Geometry Turbo Charged Air to Air Intercooler
Displacement	7.5 litre (7545cc)
Bore	118mm
Stroke	115mm
Power (ECE R85-00)	199kW @ 2500 rpm
Torque (ECE R85-00)	784Nm @ 1100-2400 rpm
Maximum Engine Speed	2900 rpm
Compression Ratio	16.0:1
Cooling System / Oil Cooler	Water cooled, 23.0L capacity/ Plate type engine oil cooler
Air Cleaner	Paper Element Type with Restrictor Indicator. Vertical Intake Mounted on Clean Air Side (RH)
Emission Control	Selective Catalytic Reduction (SCR) after-treatment system (BlueTec), Positive Crankcase Ventilation (PCV)
Emission Level	ADR 80/03 - Euro 5



## Fuel

Injection System	DENSO Common Rail System Electronically Controlled Direct Injection	
Tank Type	<b>A C</b> Rectangular Alloy Tank with Locking Cap	<b>B</b> Rectangular Steel Tank with Locking Cap
Fuel Capacity *	<b>A C</b> 400 Litres	<b>B</b> 200 Litres
AdBlue Exhaust Fluid Capacity	40 Litres	
Speed Limiter	Speed Limited 100km/h	
Notes	*Max Fill to approx 95% of Air Capacity	

## Cooling

Fan Drive	Thermo modulated continuous control (Viscous)
Radiator	Corrugated Fin with Expansion Tank

## Electrical

Voltage	24V Negative Earth
Alternator Capacity	24V-80 amp
Starter Capacity	24V-5.0kW
Battery Capacity	2x12V, 100Ah/20hr
Headlamp Type	Halogen
Headlamp Capacity	Low Beam 2x70W High Beam 2x75W

## Clutch

Clutch Model	FUSO C7M38
Type	Single Dry Plate
Operation/Specification	Air Assisted Hydraulic

## Transmission

Version	Eaton Manual ES-11109 (Fuso Code M060S9)
Type/Speeds	9 Speed
Features	Synchromesh 1L~4H
Ratios	Low Range Low: 12.64 1st: 8.81 2nd: 6.55 3rd: 4.77 4th: 3.55  High Range 1st: 2.48 2nd: 1.85 3rd: 1.34 4th: 1.00 Rev. 13.21
PTO Opening	LH Side & Rear

## Propeller Shaft

Type	<b>A</b> P140	<b>B C</b> P140/P8
Universal Joint	Needle Roller	

## Front Axle

Axle Version	FUSO F650T
Type	Reverse Elliot 'I' Beam
Capacity *	6300kg
Notes	*See MAX LOADING for vehicle capacity.

## Front Suspension

Type	Parabolic Leaf with Double Acting Shock Absorbers
Size	1400x80mm Leaves

## Rear Axle

Type	<b>A</b> Full Floating Hypoid Drive with Trailing Rear	<b>B C</b> Full Floating Hypoid, Tandem Drive with Inter-Axle Diff Lock
Axle Version	<b>A</b> FUSO R10T/10D, D10H	<b>B C</b> FUSO R10TT/10T, D10HT/10H
Capacity*	<b>A</b> 17200kg	<b>B C</b> 21600kg
Ratio	<b>A C</b> 4.222:1	<b>B</b> 5.142:1
Notes	*See MAX LOADING for vehicle capacity.	

# Specifications

MODEL	
A	6X2 2427 Air Susp. XXLWB 9 Sp. MAN (FN63FU2RFAK)
B	6x4 2427 Steel Susp. SWB 9 Sp. MAN (FN62FK2RFAK)
C	6x4 2427 Air Susp. XXLWB 9 Sp. MAN (FN64FU2RFAK)

WHEEL BASE	GVM (optional)	GCM (optional)
6530mm	23,200kg	32,000kg
4300mm	23,500kg	32,000kg
6530mm	24,000kg	32,000kg

Rear Suspension		
Type	A C Air Suspension	B Mechanical Suspension
Details	A C Trailing Arm with Air Dump Control and Double Acting Shock Absorbers	B Long Taper Leaf, 6 Rod Trunnion
Size Main Leaves	A C N/A	B 1320x90mm
Air Spring	A C 2x250mm dia. per Axle	B N/A
Trailing Arm	A C (643+390)x80x35mm-2 Leaves	B N/A
Road Friendly Certification Number	A C RF2011	B N/A
Capacity at Ground *	A C 18000kg total	B N/A

Max Loading			
Front	6000kg		
Rear	A 17200kg	B 21600kg	C 18000kg
Total	A 23200kg	B 23500kg	C 24000kg

Options	
Options	R02: Limited Slip Differential (LSD) to Drive Axle

Steering	
Type	Integral Power Assisted Ball and Nut
Steering Column	Tilt/Telescopic Adjustable with Lock
Ratio	22.4:1

Brakes	
Type	Full Air, Dual Circuit, FUSO Taper Roller, Automatic Brake Adjustment, ABS with ASR (Anti Slip Regulator)
Size Front	410x150mm
Size Rear	410x200mm
Park Brake	Rear Wheel Spring Actuated
Auxiliary	Exhaust Brake
Compressor	Water Cooled, 340cc Single Cyl.
Air Dryer Model	MD4

Wheels & Tyres		
Wheel Type	11, Single Piece Disc	
Wheel Size	22.5x8.25DC-165-13t	
Wheel Stud Pattern	10x335mm PCD	
Tyre Size All	A C 275/70R22.5 148/145L	B 11R22.5 148/145L
	Traction Tread to Rear	
Spare Tyre Carrier	A C Provided	B No

Chassis		
Type	Reinforced Parallel Channel	
Size	280x90x8.0mm	
Width	A C 841mm	B 851mm (includes outer frame reinforcement)
Tensile Strength	540Mpa	

Instruments	
Gauges	Speedometer with Odometer Tachometer Air Pressure (2) Fuel Level Water Temperature
Colour Information Display	Fuel Consumption Service Indicators Hour Meter and Tripmeter
Warning Lamps	ABS ASR Turn Signal High Beam Exhaust Brake Hill Start Assist Oil Level Ad Blue Low Fuel Low Park Brake Alternator Oil Filter Blockage Differential Lock (FN62/FN64) Engine Control / Cruise Control (ECU) Air Filter Restriction Fuel Filter Water Contamination Door Opening High/Low Gear Range
Warning Lamp/Buzzer	Air Pressure Oil Pressure Engine Overheat / Low Coolant Level

Multi-Media Package	
Satellite Navigation	Maps with heavy vehicle weight, length, height & hazardous material selectable restrictions with 3 years of Map updates
Colour Display	6.2 inch LCD with touch screen control
Phone Connectivity	Bluetooth® hands free
Audio Visual Entertainment	Bluetooth® music streaming compatible Digital radio DAB+ (also AM/FM for areas not covered by DAB+) USB & 3.5mm/AUX port
Reversing Camera	Display can accept up to 5 cameras#
Compatible	
Optional Accessories (available at additional cost)	Rear Mounted Parking Sensor Kit (High or Low) USB Quick Charge Kit Qi Wireless Charging Pocket for Mobile Devices Tyre Pressure Monitoring System
Notes	# Cameras available through spare parts

Standard Features	
Airbag(s)	Driver's Air Bag and Seat Belt Pre-tensioners
Hill Start System	Yes
Cab Cooling & Heating	Air Conditioner / Heater / Demister
Accessory Power	24V Accessory Power Outlet / Cigar Lighter
Driving	ASR (Traction Control) Keyless Central Locking Electric Windows Cruise Control LH Transom Window Fuso Multimedia Unit Cup Holders (4) Rear Quarter Glass Fluorescent Cabin Lamp and Interior Reading Lamps Engine Idle Speed Control
Storage	Centre Seat Storage Console Rear Bunk Storage Pocket Dash Storage Tray 2 DIN Glove Compartment 1 Single & 1 Double DIN Slot for Accessories Overhead Storage Pocket with Lid RH Door Storage Pocket
Cab: External	Roof Mounting Points (max. static load 70kg) Front End-Outline Marker Lamps
Chassis	Chassis Mounted Tool Box Reverse Warning Buzzer Integrated Front Underrun Protection System (FUPS)

# Specifications

MODEL	WHEEL BASE	GVM (optional)	GCM (optional)
A 6X2 2427 Air Susp. XXLWB 9 Sp. MAN (FN63FU2RFAK)	6530mm	23,200kg	32,000kg
B 6x4 2427 Steel Susp. SWB 9 Sp. MAN (FN62FK2RFAK)	4300mm	23,500kg	32,000kg
C 6x4 2427 Air Susp. XXLWB 9 Sp. MAN (FN64FU2RFAK)	6530mm	24,000kg	32,000kg

Cab Features	
Type	All Steel Forward Control Manual Tilt 44 deg.
Mounting	Hydroelastic Susp. 4 Point
Colour	Natural White
Interior	Fully Trimmed
Windscreen	Laminated Tinted
Windscreen Wipers	2 Speed + Intermittent Cycle with Integrated Washer Nozzles
Door	90 degree Opening Angle
Rear Vision Mirrors	Remote / Heated with Convex Spotter (Both Sides)
Seating Capacity	3
Seat Belts	2 ELR Lap Sash, 1 Lap
Seat (driver)	ISRI Air Suspension with Height, Tilt and Dampening Adjustment Integral Headrest and Fabric Trim
Seats (passenger)	Centre: Low Back with Fabric Trim Forward Folding Far Passenger: Fixed Base with Reclining Seat Back, Integral Headrest and Fabric Trim

Service Intervals	
Interval*	30,000km or 12 Months (whichever occurs first)
Notes	* based on normal operating conditions and may be reduced when operating under severe conditions.

Warranty	
Basic/Powertrain	5 Years or 350,000kms (whichever occurs first)
Cab Perforation/Anti Corrosion	5 Years

Performance			
Turning Circle (kerb to kerb - metres)	A 22	B 15.6	C 21.8
Electronically Speed Limited to:	100km/hr Conforms to ADR65/..		
Engine Speed (rpm) at 100km/hr (top gear)	A C 2427	B 2700	
Gradeability at Rated GVM (theoretical)*	A 34%	B 37%	C 32%
Gradeability at Rated GCM (theoretical)*	A C 23%	B 26%	
Notes	*This is theoretical performance only. Actual performance may vary under different conditions		

Mass (estimated)*			
Front*	A 3170kg	B 3085kg	C 3175kg
Rear*	A 3200kg	B 3650kg	C 3620kg
Total*	A 6370kg	B 6735kg	C 6795kg
Notes	* Mass (est.) includes oil and water but excludes spare wheel, tools & fuel. Weights provided are subject to 3.5% variation (+/-)		

Dimensions (mm)		
WFF (Width Front Fender) (mm)	2450	
WRA (Width Rear Axle) (mm)	2470	
WFT (Width Front Track) (mm)	1925	
WRT (Width Rear Track) (mm)	1850	
Width Frame (mm)	A C 841	B 851
A - Length Overall (mm)	A C 11030	B 7515
B - Extreme Axle Spacing (mm)	A C 7190	B 4960
C - Front Overhang (mm)	1245	
D - Wheelbase (mm)	A C 6530	B 4300
F - Rear Axle Spacing (mm)	1320	
G - Front Axle to Rear of Cab (mm)	745	
H - Rear of Cab to Rearmost Item Behind Cab (mm)	130	
I - Rearmost Item Behind Cab to Rear Axle (mm)	A C 5655	B 3425
J - Frame, Rear Axle to End (mm)	A C 3255	B 1970
P - Height Cab to Ground (mm)	A C 2630	B 2675
Q - Height Cab to Frame (mm)	A C 1669	B 1663
R - Height Rear Frame to Ground (mm)	A C Inflated: 967 Deflated: 913	B 1037

Body Builder's Notes	
Notes	Chassis reinforcement must be utilised for Tipper/Demountable type body configurations. To conform with ADR 13/00 (lighting requirements) the following must be adhered to at body installation. - If other than a flat type or tipper body is fitted, rear end out-line marker lamps must be installed. - If overall length exceeds 6.0 metres, side reflectors must be installed. - If overall length exceeds 7.5 metres, side marker lamps must be installed. To conform with ADR 42/04 (General Safety), rear wheel guards must be fitted to the vehicle

# Specifications

## MODEL

- A** 6X2 2427 Air Susp. XXLWB 9 Sp. MAN (FN63FU2RFAK)
- B** 6x4 2427 Steel Susp. SWB 9 Sp. MAN (FN62FK2RFAK)
- C** 6x4 2427 Air Susp. XXLWB 9 Sp. MAN (FN64FU2RFAK)

## WHEEL BASE

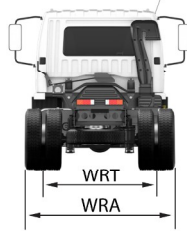
- 6530mm
- 4300mm
- 6530mm

## GVM (optional)

- 23,200kg
- 23,500kg
- 24,000kg

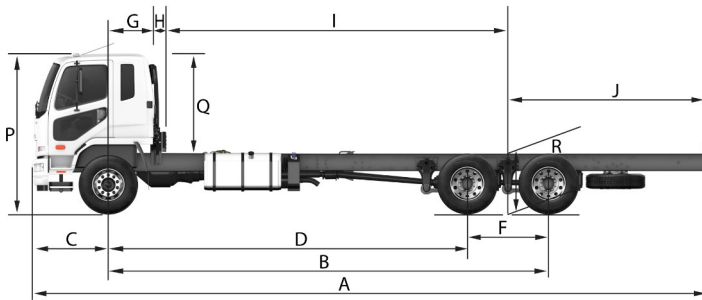
## GCM (optional)

- 32,000kg
- 32,000kg
- 32,000kg



**Call 1800 033 557**

or visit [fuso.com.au](http://fuso.com.au)



Unless specified in writing herein the accessories, applications, bodies or equipment depicted in this document are for illustration purposes only and may not be available from Daimler Truck and Bus Australia Pacific Pty Ltd. (ABN 86 618 413 282) (DTB). No representation or warranty whatsoever is given in relation to any accessories, applications, bodies or equipment or suitability of same that are shown herein that may be manufactured, supplied or fitted by a party other than DTB. DTB reserves the right without notice or obligation to discontinue or make changes to the colour, designs, materials and specifications of the products and options referred to herein at any time. For the most current information and in order to ascertain which accessories, applications, bodies and equipment are available from DTB please contact your authorised FUSO Truck and Bus dealer. Fuso is a registered trademark of Daimler Truck and Bus Australia Pacific Pty Ltd. Copyright DTB. Reproduction in whole or part prohibited without written approval. Part Number TSF46G-SSV3. Valid from 01-Oct-19.