

# CANTER FG 4X4.

STD. OR CREW / MANUAL HIGH/LOW RANGE

GVM

**6,500KG**

GCM

**10,000KG**

Power/Torque

**110KW/370NM**

Light rigid licence required.  
Can be derated and driven with a passenger car licence.



**5**  
YEAR WARRANTY

CLASS LEADING TARE WEIGHT AND 30,000KM SERVICE INTERVALS

[fuso.com.au](http://fuso.com.au)

**FUSO**

# SPECIFICATIONS

## MODEL

- A** 4x4 FG Wide Cab SWB 5 Sp. MAN (FGB71CR6SFAC)  
**B** 4x4 FG Wide Cab MWB 5 Sp. MAN (FGB71ER6SFAC)

## WHEEL BASE

2815mm  
3415mm

## GVM (optional)

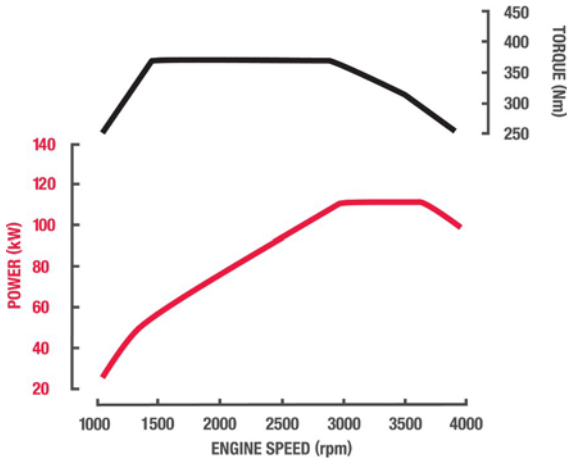
6,500kg (4,500kg)  
6,500kg (4,500kg)

## GCM (optional)

10,000kg (8,000kg)  
10,000kg (8,000kg)

### ENGINE

Engine Version	FUSO 4P10-T4 Diesel
Configuration	4 Cyl. In-line DOHC, 4-Valve
Type	Variable Geometry Turbo Charged Air to Air Intercooled
Displacement	3 litre (2998cc)
Bore	95.8mm
Stroke	104mm
Power (DIN)	110kW @ 2840~3500 rpm
Torque (DIN)	370Nm @ 1350~2840 rpm
Maximum Engine Speed	4100 rpm
Compression Ratio	17.5:1
Cooling System / Oil Cooler	Water cooled, 13.7L capacity/ Plate type engine oil cooler
Air Cleaner	Paper Element Type with Restrictor Indicator. Vertical Intake Mounted on Clean Air Side (RH)
Emission Control	Diesel Particulate Filter (DPF) Exhaust Dash Display DPF Status 0~9 (Empty~Full) Parked Regeneration possible from 7~9
Emission Level	ADR 80/03 & EEV rated (Enhanced Environmentally-Friendly Vehicle) Euro 5



### FUEL

Injection System	Bosch Common Rail Direct Injection Bosch Piezo Technology Injectors
Tank Type	Rectangular Steel Tank with Locking Cap
Fuel Capacity *	100 Litres
Filtration	Filter with Water Separator and Indicator Sensor
Notes	*Max Fill to approx 95% of Air Capacity

### COOLING

Fan Drive	Thermo modulated continuous control (Viscous)
Radiator	Corrugated Fin with Expansion Tank

### ELECTRICAL

Voltage	12V Negative Earth
Alternator Capacity	12V-110 amp
Starter Capacity	12V-2.0kW
Battery Capacity	2x12V, 70Ah/5hr
Battery Specification	115D31LX2
Headlamp Type	Halogen
Headlamp Capacity	2x55W/60W

### CLUTCH

Clutch Model	FUSO C4W30
Type	Single Dry Plate, Direct Hydraulic Type

### TRANSMISSION

Version	FUSO M038S5
Type/Speeds	5 Speed with In-Dash Gearshift Lever
Features	Synchromesh 2nd-5th
Ratios	1st: 5.494 2nd: 3.193 3rd: 1.689 4th: 1.000 5th: 0.723 Rev. 5.494
PTO Opening	LH Side

### 4X4 TRANSFER

Model	FUSO TF3
No of Speeds	2
Synchromesh	No
Ratio - Low	1.987
Ratio - High	1.090

### FRONT AXLE

Axle Version	FUSO D1H
Type	Full Floating Hypoid with Constant Velocity Universal Joints
Hubs	Free Wheel, Manual Locking Type
Ratio	5.285:1
Notes	*See MAX LOADING for vehicle capacity.

### FRONT SUSPENSION

Type	Multi-Leaf with Double Acting Shock Absorbers
Size	1150x70mm Leaves

### REAR AXLE

Type	Full Floating Hypoid Type Positive Locking Limited Slip Differential (LSD).
Axle Version	FUSO D035H
Ratio	5.285:1
Notes	See MAX LOADING for vehicle capacity.

### REAR SUSPENSION

Type	Steel Suspension
Details	Multi-Leaf with Double Acting Shock Absorbers
Size Main Leaves	1250x70mm

### MAX LOADING

Front	2800kg
Rear	5760kg
Total	6500kg

### OPTIONS

Options	H31: 4500/8000kg GVM/GCM Rating  R84: Fire Service delete power pack option - without driver & far passenger airbag, central locking or electrical front windows
---------	--

### STEERING

Type	Integral Ball and Nut Type
Steering Column	Tilt/Telescopic Adjustable
Power Assist	Standard

# SPECIFICATIONS

## MODEL

<b>A</b>	4x4 FG Wide Cab SWB 5 Sp. MAN (FGB71CR6SFAC)
<b>B</b>	4x4 FG Wide Cab MWB 5 Sp. MAN (FGB71ER6SFAC)

## WHEEL BASE

2815mm
3415mm

## GVM (optional)

6,500kg (4,500kg)
6,500kg (4,500kg)

## GCM (optional)

10,000kg (8,000kg)
10,000kg (8,000kg)

### BRAKES

Type	Hydraulic Dual Circuit with Front and Rear Drums
Size Front	320mm Diameter x 75mm Width
Size Rear	320mm Diameter x 110mm Width
Features	Auto Slack Adjusters ABS plus EBD (Electronic Brake Distribution) Exhaust Brake Brake Priority System
Park Brake	Transmission Mounted

### WHEELS & TYRES

Wheel Type	7 x Disc Rims (Including Spare)
Wheel Size	17.5x6.0-127
Wheel Stud Pattern	6 Stud
Tyre Size All	215/75R17.5 124/123 (tubeless) Off-road Tyres Front and Rear (for Extra Traction)
Spare Tyre Carrier	Provided

### CHASSIS

Type	Reinforced Tapered Channel with Drop Shape
Size	192x60x6mm
Width	752mm
Tensile Strength	440 MPa with 540 MPa Stiffeners

### INSTRUMENTS

Gauges	Speedometer with Odometer Tachometer Fuel Level Water Temperature
Colour Information Display	Fuel Consumption DPF Bar Chart from 1~9 Water Temperature Maintenance Reminder System Tripmeters

### MULTI-MEDIA PACKAGE

Satellite Navigation	Maps with heavy vehicle weight, length, height & hazardous material selectable restrictions with 3 years of Map updates
Colour Display	6.1 inch LCD with touch screen control
Phone Connectivity	Bluetooth® hands free
Audio Visual Entertainment	CD/DVD player and Digital radio DAB+ (also AM/FM for areas not covered by DAB+) USB port for iPod®* & other devices
Reversing Camera Compatible	Display can accept up to 3 cameras#
Notes	* iPod® compatibility requires an additional licensed cable # Cameras available through spare parts

### STANDARD FEATURES

Airbag(s)	Dual Air Bags and Seat Belt Pre-Tensioners (Driver & Far Side Passenger)
Cruise Control	No
Hill Start System	Yes
Cab Cooling & Heating	Air Conditioner / Heater / Demister
Accessory Power	12V Accessory Power Outlet / Cigar Lighter
Driving	Fuso Multimedia Unit Keyless Central Locking Electric Windows Cup Holders (2)
Storage	Dual Overhead Storage Pockets In-Dash Centre Document Storage Door Storage Pockets Dash Storage Tray (1 DIN) Coat Hooks
Cab: External	Front End-Outline Marker Lamps Door Side Impact Beams
Chassis	Reverse Warning Buzzer Factory Reverse Camera with Infrared Display and Audible Pickup (Supply only in Cabin with Cab Chassis)

### CAB FEATURES

Type	All Steel Forward Control Manual Tilt
Cab Structure	ECE-R29 European Cab Strength Approved
Mounting	Hydroelastic 4 Point
Additional Engine Access	Removable Engine Access Panel
Colour	Natural White
Windscreen Wipers	2 Speed + Intermittent Cycle with Integrated Washer Nozzles
Rear Vision Mirrors	1 x Internal 2 x External Convex (ECE 46) - Heated
Seating Capacity	3
Seat Belts	Lap Sash Belts for Outside Seating Positions Lap Belt for Centre Seat
Seat (driver)	Suspended with Weight Adjustment, LH Arm Rest and Lumbar Support
Seats (passenger)	Flat Folding, 2 Passenger Bench

### SERVICE INTERVALS

Interval*	30,000km, 12 Months or 600 Hours (whichever occurs first)
Notes	* based on normal operating conditions and may be reduced when operating under severe conditions.

### WARRANTY

Basic/Powertrain	5 Years, 200,000kms or 4,000 operating hours (whichever occurs first)
Cab Perforation/Anti Corrosion	5 Years

### PERFORMANCE

Turning Circle (kerb to kerb - metres)	<b>A</b> 11.4	<b>B</b> 13.4
Road Speed (km/h) at Max Engine Speed	123	123
Engine Speed (rpm) at 100km/hr (top gear)	2957	2957
Startability at Rated GVM (theoretical)*	51%	51%
Gradeability at Rated GVM (theoretical)*	74%	74%
Notes	*This is theoretical performance only. Actual performance may vary under different conditions	

# SPECIFICATIONS

## MODEL

- A** 4x4 FG Wide Cab SWB 5 Sp. MAN (FGB71CR6SFAC)  
**B** 4x4 FG Wide Cab MWB 5 Sp. MAN (FGB71ER6SFAC)

## WHEEL BASE

- 2815mm  
 3415mm

## GVM (optional)

- 6,500kg (4,500kg)  
 6,500kg (4,500kg)

## GCM (optional)

- 10,000kg (8,000kg)  
 10,000kg (8,000kg)

### MASS (ESTIMATED)\*

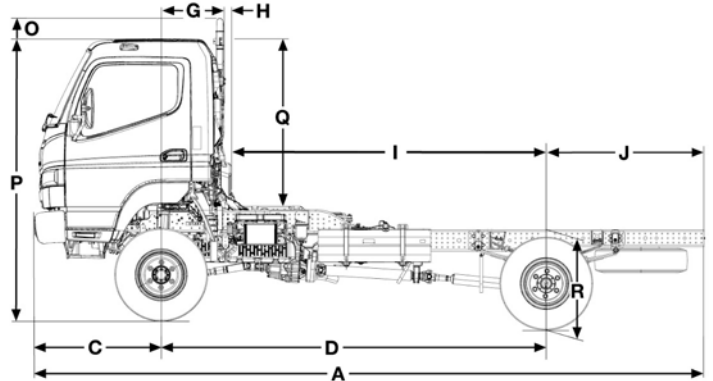
Front*	<b>A</b> 1740kg	<b>B</b> 1750kg
Rear*	<b>A</b> 820kg	<b>B</b> 845kg
Total*	<b>A</b> 2560kg	<b>B</b> 2595kg
Notes	* Mass (est.) includes oil and water but excludes spare wheel, tools & fuel. Weights provided are subject to 3.5% variation (+/-)	

### DIMENSIONS (MM)

Width Front Fender (mm)	1995	
Width Rear Axle (mm)	2030	
Width Rear Track (mm)	1560	
Width Frame (mm)	750	
A - Length Overall (mm)	<b>A</b> 5190	<b>B</b> 5935
C - Front Overhang (mm)	<b>A</b> 1125	<b>B</b> 1125
D - Wheelbase (mm)	<b>A</b> 2815	<b>B</b> 3415
G - Front Axle to Rear of Cab (mm)	<b>A</b> 540	<b>B</b> 540
H - Rear of Cab to Rearmost Item Behind Cab (mm)	<b>A</b> 81	<b>B</b> 81
I - Rearmost Item Behind Cab to Rear Axle (mm)	<b>A</b> 2194	<b>B</b> 2794
J - Frame, Rear Axle to End (mm)	<b>A</b> 1195	<b>B</b> 1395
O - Air Intake to Cab Roof (mm)	<b>A</b> 184	<b>B</b> 184
P - Height Cab to Ground (mm)	<b>A</b> 2475	<b>B</b> 2475
Q - Height Cab to Frame (mm)	<b>A</b> 1504	<b>B</b> 1504
R - Height Rear Frame to Ground (mm)	<b>A</b> 881	<b>B</b> 881

### BODY BUILDER'S NOTES

Notes	<p>Chassis reinforcement must be utilised for Tipper/Demountable type body configurations. To conform with ADR 13/00 and 14/02 (lighting/mirror requirements) the following must be adhered to at body installation.</p> <ul style="list-style-type: none"> <li>- If overall width exceeds 2.1 metres and other than flat type or tipper body is fitted, rear end-outline markers must be installed.</li> <li>- If overall length exceeds 6.0 metres, side reflectors must be installed.</li> <li>- If overall length exceeds 7.5 metres and width exceeds 2.1 metres, side marker lamps must be installed.</li> <li>- If overall width is less than 2.2 metres, the mirrors must be modified to project not more than 230mm. To conform with ADR 42/04 (General Safety), rear wheel guards must be fitted to the vehicle.</li> </ul>
-------	---



# FUSO

## CALL 1300 429 134

or visit [fuso.com.au](http://fuso.com.au)

Unless specified in writing herein the accessories, applications, bodies or equipment depicted in this document are for illustration purposes only and may not be available from Daimler Truck and Bus Australia Pacific Pty Ltd. (ABN 86 618 413 282) (DTB). No representation or warranty whatsoever is given in relation to any accessories, applications, bodies or equipment or suitability of same that are shown herein that may be manufactured, supplied or fitted by a party other than DTB. DTB reserves the right without notice or obligation to discontinue or make changes to the colour, designs, materials and specifications of the products and options referred to herein at any time. For the most current information and in order to ascertain which accessories, applications, bodies and equipment are available from DTB please contact your authorised FUSO Truck and Bus dealer. Fuso is a registered trademark of Daimler Truck and Bus Australia Pacific Pty Ltd. Copyright DTB. Reproduction in whole or part prohibited without written approval. Part Number TSC190D-SSV3. Valid from 19-Sep-18.