

CANTER FG 4X4 CREW CAB

WIDE CREW CAB / MANUAL HIGH/LOW RANGE

GVM

6,500KG

GCM

10,000KG

Power/Torque

110KW/370NM

Light rigid licence required.
Can be derated and driven with a passenger car licence.



5
YEAR WARRANTY

CLASS LEADING TARE WEIGHT AND 30,000KM SERVICE INTERVALS

fuso.com.au

FUSO

SPECIFICATIONS

MODEL

4x4 FG Wide Crew Cab MWB 5 Sp. MAN (FGB71ER6WFAC)

WHEEL BASE

3415mm

GVM (optional)

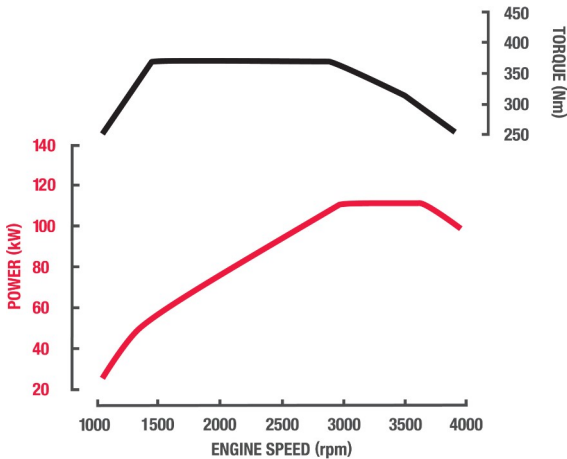
6,500kg (4,500kg)

GCM (optional)

10,000kg (8,000kg)

ENGINE

Engine Version	FUSO 4P10-T4 Diesel
Configuration	4 Cyl. In-line DOHC, 4-Valve
Type	Variable Geometry Turbo Charged Air to Air Intercooled
Displacement	3 litre (2998cc)
Bore	95.8mm
Stroke	104mm
Power (DIN)	110kW @ 2840~3500 rpm
Torque (DIN)	370Nm @ 1350~2840 rpm
Maximum Engine Speed	4100 rpm
Compression Ratio	17.5:1
Cooling System / Oil Cooler	Water cooled, 14.8L capacity/ Plate type engine oil cooler
Air Cleaner	Paper Element Type with Restrictor Indicator. Vertical Intake Mounted on Clean Air Side (RH)
Emission Control	Diesel Particulate Filter (DPF) Exhaust Dash Display DPF Status 0~9 (Empty~Full) Parked Regeneration possible from 7~9
Emission Level	ADR 80/03 & EEV rated (Enhanced Environmentally-Friendly Vehicle) Euro 5



FUEL

Injection System	Bosch Common Rail Direct Injection Bosch Piezo Technology Injectors
Tank Type	Rectangular Steel Tank with Locking Cap
Fuel Capacity *	100 Litres
Filtration	Filter with Water Separator and Indicator Sensor
Notes	*Max Fill to approx 95% of Air Capacity

COOLING

Fan Drive	Thermo modulated continuous control (Viscous)
Radiator	Corrugated Fin with Expansion Tank

ELECTRICAL

Voltage	12V Negative Earth
Alternator Capacity	12V-110 amp
Starter Capacity	12V-2.0kW
Battery Capacity	2x12V, 70Ah/5hr
Battery Specification	115D31LX2
Headlamp Type	Halogen
Headlamp Capacity	2x55W/60W

CLUTCH

Clutch Model	FUSO C4W30
Type	Single Dry Plate, Direct Hydraulic Type

TRANSMISSION

Version	FUSO M038S5
Type/Speeds	5 Speed with In-Dash Gearshift Lever
Features	Synchromesh 2nd-5th
Ratios	1st: 5.494 2nd: 3.193 3rd: 1.689 4th: 1.000 5th: 0.723 Rev. 5.494
PTO Opening	LH Side

4X4 TRANSFER

Model	FUSO TF3
No of Speeds	2
Synchromesh	No
Ratio - Low	1.987
Ratio - High	1.090

FRONT AXLE

Axle Version	FUSO D1H
Type	Full Floating Hypoid with Constant Velocity Universal Joints
Hubs	Free Wheel, Manual Locking Type
Ratio	5.285:1
Notes	*See MAX LOADING for vehicle capacity.

FRONT SUSPENSION

Type	Multi-Leaf with Double Acting Shock Absorbers
Size	1150x70mm Leaves

REAR AXLE

Type	Full Floating Hypoid Type Positive Locking Limited Slip Differential (LSD).
Axle Version	FUSO D035H
Ratio	5.285:1
Notes	See MAX LOADING for vehicle capacity.

REAR SUSPENSION

Type	Steel Suspension
Details	Multi-Leaf with Double Acting Shock Absorbers
Size Main Leaves	1250x70mm

MAX LOADING

Front	2800kg
Rear	5760kg
Total	6500kg

OPTIONS

Options	H31: 4500/8000kg GVM/GCM Rating R84: Fire Service delete power pack option - without driver & far passenger airbag, central locking or electrical front windows
---------	--

STEERING

Type	Integral Ball and Nut Type
Steering Column	Tilt/Telescopic Adjustable
Power Assist	Standard

SPECIFICATIONS

MODEL

4x4 FG Wide Crew Cab MWB 5 Sp. MAN (FGB71ER6WFAC)

WHEEL BASE

3415mm

GVM (optional)

6,500kg (4,500kg)

GCM (optional)

10,000kg (8,000kg)

BRAKES

Type	Hydraulic Dual Circuit with Front and Rear Drums
Size Front	320mm Diameter x 75mm Width
Size Rear	320mm Diameter x 110mm Width
Features	Auto Slack Adjusters ABS plus EBD (Electronic Brake Distribution) Exhaust Brake Brake Priority System
Park Brake	Transmission Mounted

WHEELS & TYRES

Wheel Type	7 x Disc Rims (Including Spare)
Wheel Size	17.5x6.0-127
Wheel Stud Pattern	6 Stud
Tyre Size All	215/75R17.5 124/123 (tubeless) Off-road Tyres Front and Rear (for Extra Traction)
Spare Tyre Carrier	Provided

CHASSIS

Type	Reinforced Tapered Channel with Drop Shape
Size	192x60x6mm
Width	752mm
Tensile Strength	440 MPa with 540 MPa Stiffeners

INSTRUMENTS

Gauges	Speedometer with Odometer Tachometer Fuel Level Water Temperature
Colour Information Display	Fuel Consumption DPF Bar Chart from 1~9 Water Temperature Maintenance Reminder System Tripmeters

MULTI-MEDIA PACKAGE

Satellite Navigation	Maps with heavy vehicle weight, length, height & hazardous material selectable restrictions with 3 years of Map updates
Colour Display	6.1 inch LCD with touch screen control
Phone Connectivity	Bluetooth® hands free
Audio Visual Entertainment	CD/DVD player and Digital radio DAB+ (also AM/FM for areas not covered by DAB+) USB port for iPod®* & other devices
Reversing Camera Compatible	Display can accept up to 3 cameras#
Notes	* iPod® compatibility requires an additional licensed cable # Cameras available through spare parts

STANDARD FEATURES

Airbag(s)	Dual Air Bags and Seat Belt Pre-Tensioners (Driver & Far Side Passenger)
Cruise Control	No
Hill Start System	Yes
Cab Cooling & Heating	Air Conditioner / Heater / Demister
Accessory Power	12V Accessory Power Outlet / Cigar Lighter
Driving	Fuso Multimedia Unit Keyless Central Locking Electric Windows (front only) Cup Holders (2)
Storage	Lockable Storage under Rear Crew Seats Dual Overhead Storage Pockets In-Dash Centre Document Storage Door Storage Pockets Dash Storage Tray (1 DIN) Coat Hooks
Cab: External	Front End-Outline Marker Lamps Door Side Impact Beams (front only)
Chassis	Reverse Warning Buzzer Factory Reverse Camera with Infrared Display and Audible Pickup (Supply only in Cabin with Cab Chassis)

CAB FEATURES

Type	All Steel Forward Control Fixed
Cab Structure	ECE-R29 European Cab Strength Approved
Mounting	6 Point Isolated
Additional Engine Access	Removable Engine Access Panel
Colour	Natural White
Windscreen Wipers	2 Speed + Intermittent Cycle with Integrated Washer Nozzles
Rear Vision Mirrors	1 x Internal 2 x External Convex (ECE 46) - Heated
Seating Capacity	7
Seat Belts	Lap Sash Belts for Outside Seating Positions Lap Belt for Centre Seat
Seat (driver)	Suspended with Weight Adjustment, LH Arm Rest and Lumbar Support
Seats (passenger)	Flat Folding, 2 Passenger Bench
Seats (crew cab rear)	Low Back 4 Passenger Bench Head Rests for Outside Seating Positions

SERVICE INTERVALS

Interval*	30,000km, 12 Months or 600 Hours (whichever occurs first)
Notes	* based on normal operating conditions and may be reduced when operating under severe conditions.

WARRANTY

Basic/Powertrain	5 Years, 200,000kms or 4,000 operating hours (whichever occurs first)
Cab Perforation/Anti Corrosion	5 Years

PERFORMANCE

Turning Circle (kerb to kerb - metres)	13.4
Road Speed (km/h) at Max Engine Speed	123
Engine Speed (rpm) at 100km/hr (top gear)	2957
Startability at Rated GVM (theoretical)*	51%
Gradeability at Rated GVM (theoretical)*	74%
Notes	*This is theoretical performance only. Actual performance may vary under different conditions

SPECIFICATIONS

MODEL

4x4 FG Wide Crew Cab MWB 5 Sp. MAN (FGB71ER6WFAC)

WHEEL BASE

3415mm

GVM (optional)

6,500kg (4,500kg)

GCM (optional)

10,000kg (8,000kg)

MASS (ESTIMATED)*

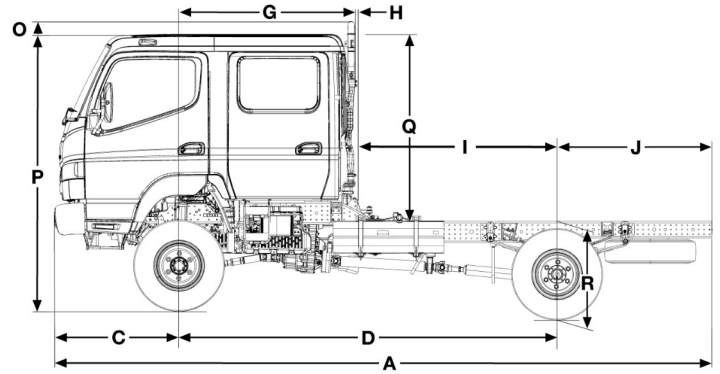
Front*	1910kg
Rear*	915kg
Total*	2825kg
Notes	* Mass (est.) includes oil and water but excludes spare wheel, tools & fuel. Weights provided are subject to 3.5% variation (+/-)

DIMENSIONS (MM)

Width Front Fender (mm)	1995
Width Rear Axle (mm)	2030
Width Rear Track (mm)	1560
Width Frame (mm)	750
A - Length Overall (mm)	5935
C - Front Overhang (mm)	1125
D - Wheelbase (mm)	3415
G - Front Axle to Rear of Cab (mm)	1540
H - Rear of Cab to Rearmost Item Behind Cab (mm)	67
I - Rearmost Item Behind Cab to Rear Axle (mm)	1808
J - Frame, Rear Axle to End (mm)	1395
O - Air Intake to Cab Roof (mm)	117
P - Height Cab to Ground (mm)	2494
Q - Height Cab to Frame (mm)	1674
R - Height Rear Frame to Ground (mm)	879

BODY BUILDER'S NOTES

Notes	<p>Chassis reinforcement must be utilised for Tipper/Demountable type body configurations. To conform with ADR 13/00 and 14/02 (lighting/mirror requirements) the following must be adhered to at body installation.</p> <ul style="list-style-type: none"> - If overall width exceeds 2.1 metres and other than flat type or tipper body is fitted, rear end-outline markers must be installed. - If overall length exceeds 6.0 metres, side reflectors must be installed. - If overall length exceeds 7.5 metres and width exceeds 2.1 metres, side marker lamps must be installed. - If overall width is less than 2.2 metres, the mirrors must be modified to project not more than 230mm. To conform with ADR 42/04 (General Safety), rear wheel guards must be fitted to the vehicle.
-------	---



FUSO

CALL 1300 429 134

or visit fuso.com.au

Unless specified in writing herein the accessories, applications, bodies or equipment depicted in this document are for illustration purposes only and may not be available from Daimler Truck and Bus Australia Pacific Pty Ltd. (ABN 86 618 413 282) (DTB). No representation or warranty whatsoever is given in relation to any accessories, applications, bodies or equipment or suitability of same that are shown herein that may be manufactured, supplied or fitted by a party other than DTB. DTB reserves the right without notice or obligation to discontinue or make changes to the colour, designs, materials and specifications of the products and options referred to herein at any time. For the most current information and in order to ascertain which accessories, applications, bodies and equipment are available from DTB please contact your authorised FUSO Truck and Bus dealer. Fuso is a registered trademark of Daimler Truck and Bus Australia Pacific Pty Ltd. Copyright DTB. Reproduction in whole or part prohibited without written approval. Part Number TSC195A-SSV1. Valid from 19-Sep-18.