

# CANTER CREW CABS.

4X2 / 6-7 SEATS / MANUAL OR DUONIC AMT

GVM

**4,500KG TO  
8,200KG**

GCM

**8,000KG TO  
11,700KG**

Power/Torque

**110KW/377NM OR  
129KW/430NM**

Passenger, light or medium rigid licence required.  
Can be derated and driven with a passenger car licence.



**5**  
YEAR WARRANTY

**CLASS LEADING 30,000KM SERVICE INTERVALS.  
ESP AND CRUISE CONTROL STANDARD ON WIDE CREW CAB AMT MODELS**

fuso.com.au

**FUSO**

# SPECIFICATIONS

## MODEL

<b>A</b>	4x2 515 City Crew Cab MWB 6 Sp. Duonic AMT (FEA21ER3WFAC)
<b>B</b>	4x2 815 Wide Crew Cab MWB 6 Sp. Duonic AMT (FEB71ER3WFAN)
<b>C</b>	4x2 815 Wide Crew Cab LWB 6 Sp. Duonic AMT (FEB71GR3WFAN)
<b>D</b>	4x2 918 Wide Crew Cab LWB 6 Sp. Duonic AMT (FEB91GR3WFAM)
<b>E</b>	4x2 815 Wide Crew Cab LWB 5 Sp. MAN (FEB71GR4WFAC)
<b>F</b>	4x2 918 Wide Crew Cab LWB 5 Sp. MAN (FEB91GR4WFAD)

## WHEEL BASE

3400mm
3400mm
3850mm
3850mm
3850mm
3850mm

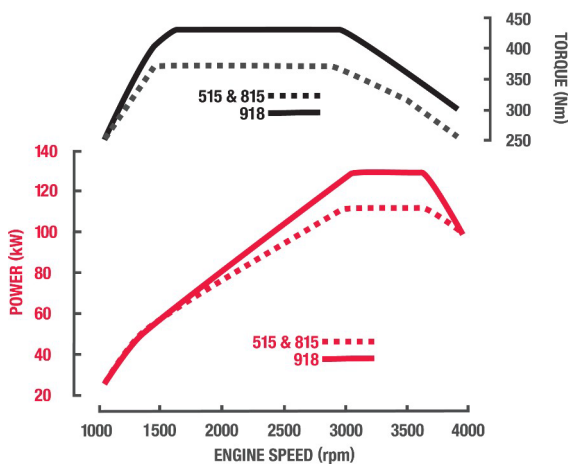
## GVM (optional)

4500kg
7500kg (4500kg)
7500kg (4500kg)
8200kg (8000kg)
7500kg (4500kg)
8200kg (8000kg)

## GCM (optional)

8000kg
11,000kg (8000kg)
11,000kg (8000kg)
11,700kg (11,000kg)
11,000kg (8000kg)
11,700kg (11,000kg)

ENGINE	
Engine Version	<b>A B C E</b> FUSO 4P10-T4 Diesel <b>D F</b> FUSO 4P10-T6 Diesel
Configuration	4 Cyl. In-line DOHC, 4-Valve
Type	Variable Geometry Turbo Charged Air to Air Intercooled
Displacement	3 litre (2998cc)
Bore	95.8mm
Stroke	104mm
Power (DIN)	<b>A B C E</b> 110kW @ 2840~3500 rpm <b>D F</b> 129kW @ 2860~3500 rpm
Torque (DIN)	<b>A B C E</b> 370Nm @ 1350~2840 rpm <b>D F</b> 430Nm @ 1600~2860 rpm
Maximum Engine Speed	4100 rpm
Compression Ratio	17.5:1
Cooling System / Oil Cooler	<b>A</b> Water cooled, 14.1L capacity/ Plate type engine oil cooler <b>B C E</b> Water cooled, 14.8L capacity/ Plate type engine oil cooler <b>D F</b> Water cooled, 15.2L capacity/ Plate type engine oil cooler
Air Cleaner	Paper Element Type with Restrictor Indicator. Vertical Intake Mounted on Clean Air Side (RH)
Emission Control	<b>A B C E</b> Diesel Particulate Filter (DPF) Exhaust Dash Display DPF Status 0~9 (Empty~Full) Parked Regeneration possible from 7~9 <b>D F</b> Diesel Particulate Filter (DPF) Exhaust Dash Display DPF Status 0~9 (Empty~Full) Parked Regeneration plus SCR After-Treatment System
Emission Level	ADR 80/03 & EEV rated (Enhanced Environmentally-Friendly Vehicle) Euro 5



FUEL	
Injection System	Bosch Common Rail Direct Injection Bosch Piezo Technology Injectors
Tank Type	Rectangular Steel Tank with Locking Cap
Fuel Capacity *	100 Litres
Filtration	Filter with Water Separator and Indicator Sensor
AdBlue Exhaust Fluid Capacity	12 Litres
Notes	*Max Fill to approx 95% of Air Capacity

COOLING	
Fan Drive	Thermo modulated continuous control (Viscous)
Radiator	Corrugated Fin with Expansion Tank

ELECTRICAL	
Voltage	12V Negative Earth
Alternator Capacity	12V-140 amp
Starter Capacity	12V-2.0kW
Battery Capacity	<b>A</b> 1x12V, 70Ah/5hr <b>B C D E F</b> 2x12V, 70Ah/5hr
Battery Specification	115D31LX2
Headlamp Type	Halogen
Headlamp Capacity	2x55W/60W

CLUTCH	
Clutch Model	<b>A B C D</b> Duonic Automated Manual (no clutch pedal) <b>E F</b> FUSO C4W30
Type	Dual Clutch (Wet Multi-plate) / Single Dry Plate, Direct Hydraulic Type

TRANSMISSION		
Version	<b>A B C D</b> FUSO Duonic M038S6 <b>E F</b> FUSO M038S5	
Type/Speeds	6 Speed Automated Manual with Auto and Manual Modes / 5 Speed with In-Dash Gearshift Lever	
Features	Virtually Instant Gear Changes In-Dash Gear Lever with Park Brake Position ECO Mode to Minimise Fuel Usage	
Ratios	1st: 5.397 2nd: 3.788 3rd: 2.310 4th: 1.474 5th: 1.000 6th: 0.701 Rev. 5.397	1st: 5.494 2nd: 3.193 3rd: 1.689 4th: 1.000 5th: 0.723 Rev. 4.494
PTO Opening	LH Side. / LH Side	

FRONT AXLE	
Axle Version	<b>A</b> FUSO F200T <b>B C D E F</b> FUSO F350T
Type	Independent Front Suspension / Reverse Elliot "I" Beam Suspension
Capacity *	2300kg / 3100kg
Notes	*See MAX LOADING for vehicle capacity.

FRONT SUSPENSION	
Type	<b>A</b> Double Wishbone Independent Front Suspension with Coil Springs and Double Acting Shock Absorbers <b>B C D E F</b> Multi-Leaf with Stabiliser Bar and Double Acting Shock Absorbers
Size	N/A / 1150x70mm Leaves

REAR AXLE	
Type	FullF loading Banjo Type
Axle Version	<b>A</b> FUSO R030T <b>B C D E F</b> FUSO R035T
Capacity*	3800kg / 6000kg
Ratio	<b>A</b> 4.444:1 <b>B C</b> 5.714:1 <b>D</b> 6.166:1 <b>E F</b> 5.285:1
Notes	*See MAX LOADING for vehicle capacity.

# SPECIFICATIONS

## MODEL

<b>A</b>	4x2 515 City Crew Cab MWB 6 Sp. Duonic AMT (FEA21ER3WFAC)
<b>B</b>	4x2 815 Wide Crew Cab MWB 6 Sp. Duonic AMT (FEB71ER3WFAN)
<b>C</b>	4x2 815 Wide Crew Cab LWB 6 Sp. Duonic AMT (FEB71GR3WFAN)
<b>D</b>	4x2 918 Wide Crew Cab LWB 6 Sp. Duonic AMT (FEB91GR3WFAM)
<b>E</b>	4x2 815 Wide Crew Cab LWB 5 Sp. MAN (FEB71GR4WFAC)
<b>F</b>	4x2 918 Wide Crew Cab LWB 5 Sp. MAN (FEB91GR4WFAD)

## WHEEL BASE

3400mm
3400mm
3850mm
3850mm
3850mm
3850mm

## GVM (optional)

4500kg
7500kg (4500kg)
7500kg (4500kg)
8200kg (8000kg)
7500kg (4500kg)
8200kg (8000kg)

## GCM (optional)

8000kg
11,000kg (8000kg)
11,000kg (8000kg)
11,700kg (11,000kg)
11,000kg (8000kg)
11,700kg (11,000kg)

## REAR SUSPENSION

Type	Steel Suspension	
Details	<b>A</b> Parabolic Leaf with Double Acting Shock Absorbers	<b>B C D E F</b> Semi-Elliptic Leaf with Stabiliser Bar and Double Acting Shock Absorbers
Size Main Leaves	1100x70mm	1250x70mm
Size Helper Leaves	N/A	880x70mm

## MAX LOADING

Front	<b>A</b> 2300kg	<b>B C E</b> 3100kg	<b>D F</b> 3100kg
Rear	3800kg	6000kg	6000kg
Total	4500kg	7500kg	8200kg

## OPTIONS

Options	H31: 4500/8000kg GVM/GCM Rating
---------	---------------------------------

## STEERING

Type	<b>A</b> Rack & Pinion	<b>B C D E F</b> Integral Ball and Nut Type
Steering Column	Tilt/Telescopic Adjustable	
Power Assist	Standard	

## BRAKES

Type	<b>A</b> Hydraulic Dual Circuit with Front and Rear Discs Single Calliper Front and Rear	<b>B C D E F</b> Hydraulic Dual Circuit with Front and Rear Discs Twin Calliper Front and Rear
Size Front	276x28mm	310x40mm
Size Rear	276x28mm	310x40mm
Features	ABS plus EBD (Electronic Brake Distribution) Exhaust Brake Brake Priority System	
Park Brake	Transmission Mounted	

## WHEELS & TYRES

Wheel Type	7 x Single Piece Disc Rims (Including Spare)	
Wheel Size	<b>A</b> 15x5J-115	<b>B C D E F</b> 17.5x6.0-127
Wheel Stud Pattern	5 Stud 208 PCD	6 Stud 222.25 PCD
Tyre Size All	195/85R15 113/111	215/75R17.5 124/123
Spare Tyre Carrier	Provided	

## CHASSIS

Type	Reinforced Tapered Channel	
Size	<b>A</b> 188x60x4mm	<b>B C D E F</b> 192x60x6mm
Width	699mm	752mm
Tensile Strength	440 MPa	

## INSTRUMENTS

Gauges	<b>A B C E</b> Speedometer with Odometer Tachometer Fuel Level Water Temperature	<b>D F</b> Speedometer with Odometer Tachometer Fuel Level Water Temperature AdBlue Level
Colour Information Display	Fuel Consumption DPF Bar Chart from 1-9 Water Temperature Maintenance Reminder System Tripmeters	

## MULTI-MEDIA PACKAGE

Satellite Navigation	Maps with heavy vehicle weight, length, height & hazardous material selectable restrictions with 3 years of Map updates
Colour Display	6.1 inch LCD with touch screen control
Phone Connectivity	Bluetooth® hands free
Audio Visual Entertainment	CD/DVD player and Digital radio DAB+ (also AM/FM for areas not covered by DAB+) USB port for iPod®* & other devices
Reversing Camera Compatible	Display can accept up to 3 cameras#
Notes	* iPod® compatibility requires an additional licensed cable # Cameras available through spare parts

## STANDARD FEATURES

Airbag(s)	Dual Air Bags and Seat Belt Pre-Tensioners (Driver & Far Side Passenger)	
Electronic Stability Program (ESP)	<b>A E F</b> No	<b>B C D</b> Yes
Idle Stop Start (ISS)	No	Yes
Cruise Control	<b>A B C D</b> Yes	<b>E F</b> No
Hill Start System	Yes	
Cab Cooling & Heating	Air Conditioner / Heater / Demister. Rear crew air conditioner and heater with separate control	
Accessory Power	12V Accessory Power Outlet / Cigar Lighter	
Driving	Fuso Multimedia Unit Keyless Central Locking Electric Windows (front only) Cup Holders (2)	
Storage	Dual Overhead Storage Pockets Lockable Storage Under Rear Crew Seats In-Dash Centre Document Storage Door Storage Pockets Dash Storage Tray (1 DIN)	
Cab: External	<b>A</b> Door Side Impact Beams (front only)	<b>B C D E F</b> Front End-Outline Marker Lamps Door Side Impact Beams (front only)
Chassis	Reverse Warning Buzzer Factory Reverse Camera with Infrared Display and Audible Pickup (Supply only in Cabin with Cab Chassis)	

## CAB FEATURES

Type	All Steel Forward Control Fixed Cab	
Cab Structure	<b>A</b> N/A	<b>B C D E F</b> ECE-R29 European Cab Strength Approved
Mounting	6 Point Isolated Rubber	
Additional Engine Access	Removable Engine Access Panel	
Colour	Natural White	
Windscreen Wipers	2 Speed + Intermittent Cycle with Integrated Washer Nozzles	
Rear Vision Mirrors	1 x Internal 2 x External Convex (ECE 46) - Heated	
Seating Capacity	<b>A</b> 6	<b>B C D E F</b> 7
Seat Belts	4 x Lap Sash Belts and 4 x Lap Sash Belts and Head Rests for Outside Seating 2 x Lap Belts for Centre Seat 3 x Lap Belts for Centre Seat	
Seat (driver)	Fixed Reclining LH Arm Rest & Lumbar Support Suspended with Weight Adjustment, LH Arm Rest and Lumbar Support	
Seats (passenger)	Flat Folding, 2 Passenger Bench for Front Passengers	
Seats (crew cab rear)	Low Back Bench Seat	

# SPECIFICATIONS

## MODEL

A	4x2 515 City Crew Cab MWB 6 Sp. Duonic AMT (FEA21ER3WFAC)
B	4x2 815 Wide Crew Cab MWB 6 Sp. Duonic AMT (FEB71ER3WFAN)
C	4x2 815 Wide Crew Cab LWB 6 Sp. Duonic AMT (FEB71GR3WFAN)
D	4x2 918 Wide Crew Cab LWB 6 Sp. Duonic AMT (FEB91GR3WFAM)
E	4x2 815 Wide Crew Cab LWB 5 Sp. MAN (FEB71GR4WFAC)
F	4x2 918 Wide Crew Cab LWB 5 Sp. MAN (FEB91GR4WFAD)

## WHEEL BASE

3400mm
3400mm
3850mm
3850mm
3850mm
3850mm

## GVM (optional)

4500kg
7500kg (4500kg)
7500kg (4500kg)
8200kg (8000kg)
7500kg (4500kg)
8200kg (8000kg)

## GCM (optional)

8000kg
11,000kg (8000kg)
11,000kg (8000kg)
11,700kg (11,000kg)
11,000kg (8000kg)
11,700kg (11,000kg)

## SERVICE INTERVALS

Interval*	30,000km, 12 Months or 600 Hours (whichever occurs first)
Notes	* based on normal operating conditions and may be reduced when operating under severe conditions.

## WARRANTY

Basic/Powertrain	5 Years, 200,000kms or 4,000 operating hours (whichever occurs first)
Cab Perforation/Anti Corrosion	5 Years

## PERFORMANCE

	A	B	C	D	E	F
Turning Circle (kerb to kerb - metres)	11.8	12.2	13.6	13.6	13.6	13.6
Road Speed (km/h) at Max Engine Speed	145	127	127	124	130	130
Engine Speed (rpm) at 100km/hr (top gear)	2388	2817	2817	3040	2687	2687
Gradeability at Rated GVM (theoretical)*	45%	29%	29%	34%	29%	29%
Notes	*This is theoretical performance only. Actual performance may vary under different conditions					

## MASS (ESTIMATED)\*

	A	B	C	D	E	F
Front*	1550kg	1785kg	1795kg	1815kg	1780kg	1800kg
Rear*	615kg	850kg	890kg	885kg	890kg	890kg
Total*	2165kg	2635kg	2685kg	2700kg	2670kg	2690kg
Notes	* Mass (est.) includes oil and water but excludes spare wheel, tools & fuel. Weights provided are subject to 3.5% variation (+/-)					

## DIMENSIONS (MM)

	A	B	C	D	E	F
Width Front Fender (mm)	1695	1995	1995	1995	1995	1995
Width Rear Axle (mm)	1869	2034	2034	2034	2034	2034
Width Rear Track (mm)	1435	1560	1560	1560	1560	1560
Width Frame (mm)	699	752	752	752	752	752
A - Length Overall (mm)	5785	5935	6685	6685	6685	6685
C - Front Overhang (mm)	990	1140	1140	1140	1140	1140
D - Wheelbase (mm)	3400	3400	3850	3850	3850	3850
G - Front Axle to Rear of Cab (mm)	1475	1525	1525	1525	1525	1525
H - Rear of Cab to Rearmost Item Behind Cab (mm)	130	54	54	54	54	54
I - Rearmost Item Behind Cab to Rear Axle (mm)	1795	1821	2271	2271	2271	2271
J - Frame, Rear Axle to End (mm)	1395	1695	1695	1695	1695	1695
P - Height Cab to Ground (mm)	1995	2220	2220	2220	2220	2220
Q - Height Cab to Frame (mm)	1374	1514	1514	1514	1514	1514
R - Height Rear Frame to Ground (mm)	717	795	794	794	794	794

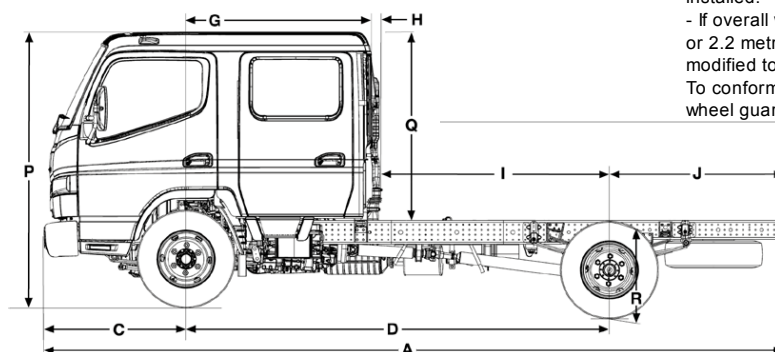
## BODY BUILDER

Notes

Chassis reinforcement must be utilised for Tipper/Demountable type body configurations. To conform with ADR 13/00 and 14/02 (lighting/mirror requirements) the following must be adhered to at body installation.

- If overall width exceeds 2.1 metres and other than flat type or tipper body is fitted, rear end-outline markers must be installed.
- If overall length exceeds 6.0 metres, side reflectors must be installed.
- If overall length exceeds 7.5 metres and width exceeds 2.1 metres, side marker lamps must be installed.
- If overall width is less than 1.9 metres (for city cab) or 2.2 metres (for wide cabs), the mirrors must be modified to project not more than 230mm.

To conform with ADR 42/04 (General Safety), rear wheel guards must be fitted to the vehicle.



# CALL 1300 429 134

or visit [fuso.com.au](http://fuso.com.au)

# FUSO

Unless specified in writing herein the accessories, applications, bodies or equipment depicted in this document are for illustration purposes only and may not be available from Daimler Truck and Bus Australia Pacific Pty Ltd. (ABN 86 618 413 282) (DTB). No representation or warranty whatsoever is given in relation to any accessories, applications, bodies or equipment or suitability of same that are shown herein that may be manufactured, supplied or fitted by a party other than DTB. DTB reserves the right without notice or obligation to discontinue or make changes to the colour, designs, materials and specifications of the products and options referred to herein at any time. For the most current information and in order to ascertain which accessories, applications, bodies and equipment are available from DTB please contact your authorised FUSO Truck and Bus dealer. Fuso is a registered trademark of Daimler Truck and Bus Australia Pacific Pty Ltd. Copyright DTB. Reproduction in whole or part prohibited without written approval. Part Number TSC141A-SSV2. Valid from 20-Jul-18.